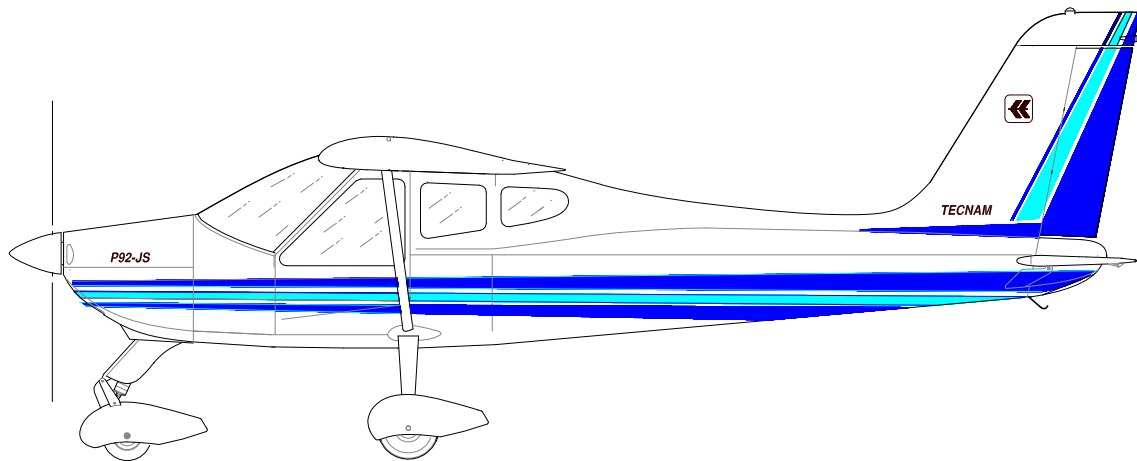


# ILLUSTRATED PARTS CATALOG

## *P92 - JS & Echo Super*



Doc. 92/65 Ed:1 Revision:3  
February 2009

INTRODUCTION

*This illustrated parts catalog is designed to make identification of spare easy for the aircraft **P92-JS** and **P92 Echo-Super** built by **TECNAM S.r.l.** of Casoria (NA)*

*1) The catalog is divided into eight separate groups:*

- GROUP 1 - WING
- GROUP 2 - FUSELAGE
- GROUP 3 - EMPENNAGE
- GROUP 4 - GEAR
- GROUP 5 - FLIGHT CONTROLS
- GROUP 6 - ENGINE
- GROUP 7 - EQUIPMENT
- GROUP 8 - CABIN FITTING OUT

*2) Here is a key to the meaning of the columns appearing in the parts lists:*

- a) The column "Fig. No:" indicates the number of the relevant figure/ diagram.*
- b) The column "P/N" denotes the unique part number which relates to the required spare part. This must be quoted on all orders.*
- c) The column "Description" contains the verbal description of the spare part and must also be quoted on all spare parts orders.*
- d) The column "QTY" denotes the total number of that particular part used in each aircraft.*

3) *Fastenings such as bolts, screws, nuts etc. all of which are commercially available are not normally supplied by Tecnam.*

*The catalog, for reasons of usefulness, does list some of these items which are identified by their commercial name or trade mark.*

HOW TO FIND A "PART" IF  
YOU KNOW WHAT IT LOOKS LIKE  
AND WHERE IT IS LOCATED.

1) *Refer to figure 1 on page VII and determine in which section the part falls.*

2) *Go to the index (pages IV, VI) and identify the section.*

*With the help of the Figure, which shows the various sub-sections, identify the relevant one likely to contain the required part and then go to the page indicated.*

3) *Identify the part in the diagram and note its index number.*

*NB: If you cannot find the part in the diagram, go to another diagram within the same section where it may appear.*

4) *Once identified go to the "Description" column in the appropriate list to confirm the full description so as to positively identify the part required.*

HOW TO ORDER PARTS:

*When ordering parts please follow precisely these instructions:*

1) *Always quote the Build/ Serial Number of your particular aircraft.*

2) *Always specify the P/N (Part Number), the description and the quantity of each part that you wish to order.*

INDEX

Figure Number	Figure Title	Page
1	Exploded View	VII
<u>GROUP 1 - Wing</u>		
1.1	Wing Structure	1-1
1.2	Wing Covering / Skin	1-5
1.3	Leading Edge, Struts (Fuel Tank 35/45 lt.)	1-7
1.4	Flap	1-10
1.5	Aileron	1-12
<u>GROUP 2 - FUSELAGE</u>		
2.1	Tail Cone	2-1
2.2	Cabin Structure	2-3
2.3	Tail Cone Skin	2-5
2.4	Cabin Skin / Panelling	2-8
2.5	Cabin lower Shell	2-10
2.6	Doors	2-12
2.7	Windows	2-15

Figure Number	Figure Title	Page
<u>GROUP 3 - EMPENNAGE</u>		
3.1	Stabilators	3-1
3.2	Fin	3-3
3.3	Rudder	3-5
<u>GROUP 4 - GEAR</u>		
4.1	Nosewheel	4-1
4.2	Nosewheel Fairing.	4-3
4.3	Main Gear	4-5
<u>GROUP 5 - FLIGHT CONTROLS</u>		
5.1	Sticks - Aileron	5-1
5.2	Aileron Control	5-3
5.3	Flap Control	5-5
5.4	Rudder Control	5-7
5.5	Stabilator Control	5-9
5.6	Trim Control	5-11

Figure Number	Figure Title	Page
<u>GROUP 6 - ENGINE</u>		
6-1	Engine Installation	6-1
6-2	Exhaust System	6-3
6-3	Engine Cowling	6-5
<u>GROUP 7 - INSTALLATIONS</u>		
7.1	Fuel System (JS)	7-1
7.2	Fuel System (EchoSuper)	7-5
7.3	Brake System	7-8
7.4	Pitot/Static Installation	7-10
7.5	Gyro Instruments	7-12
7.6	Throttles Controls	7-14
7.7	Electrical Components	7-16
7.8	Instrument Panel	7-18
7.9	Hot Air System	7-20
7.10	Oil Cooler System	7-22
7.11	Water Cooling System	7-24
<u>GROUP 8 - Fitting Out</u>		
8.1	Cabin Fitting Out	8-1

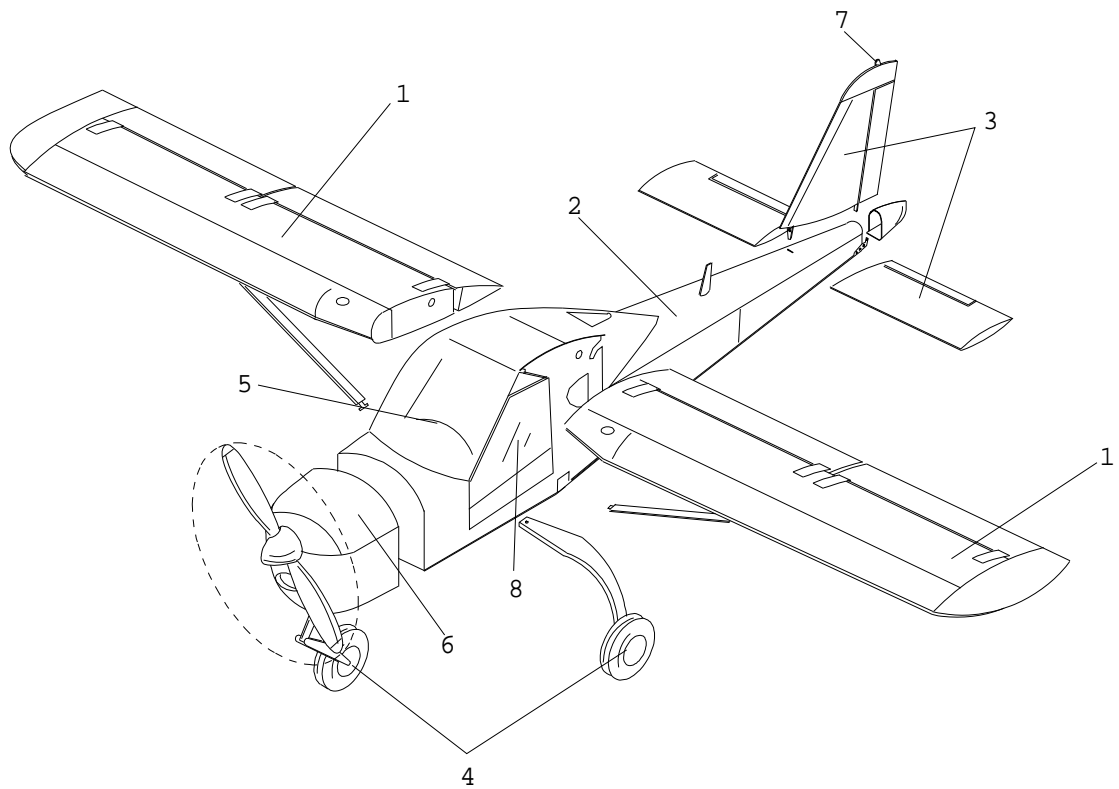


Fig. 1 EXPLODED VIEW

GROUP 1 - WING

GROUP 2 - FUSELAGE

GROUP 3 - EMPENNAGE

GROUP 4 - GEAR

GROUP 5 - FLYING CONTROLS

GROUP 6 - ENGINE

GROUP 7 - INSTALLATIONS

GROUP 8 - CABIN FITING OUT



**List of revision**

<b>Rev.</b>	<b>Page</b>	<b>Date</b>	<b>Amendment</b>
2	2-12	November 2008	Definition of assy door restraint (LH – RH)
2	7-22	November 2008	Definition of 3 assy on oil cooler system installation
2	7-23	November 2008	Definition of 3 assy on oil cooler system installation
3	7-23	February 2009	Definition of 4 part number on oil cooler system installation

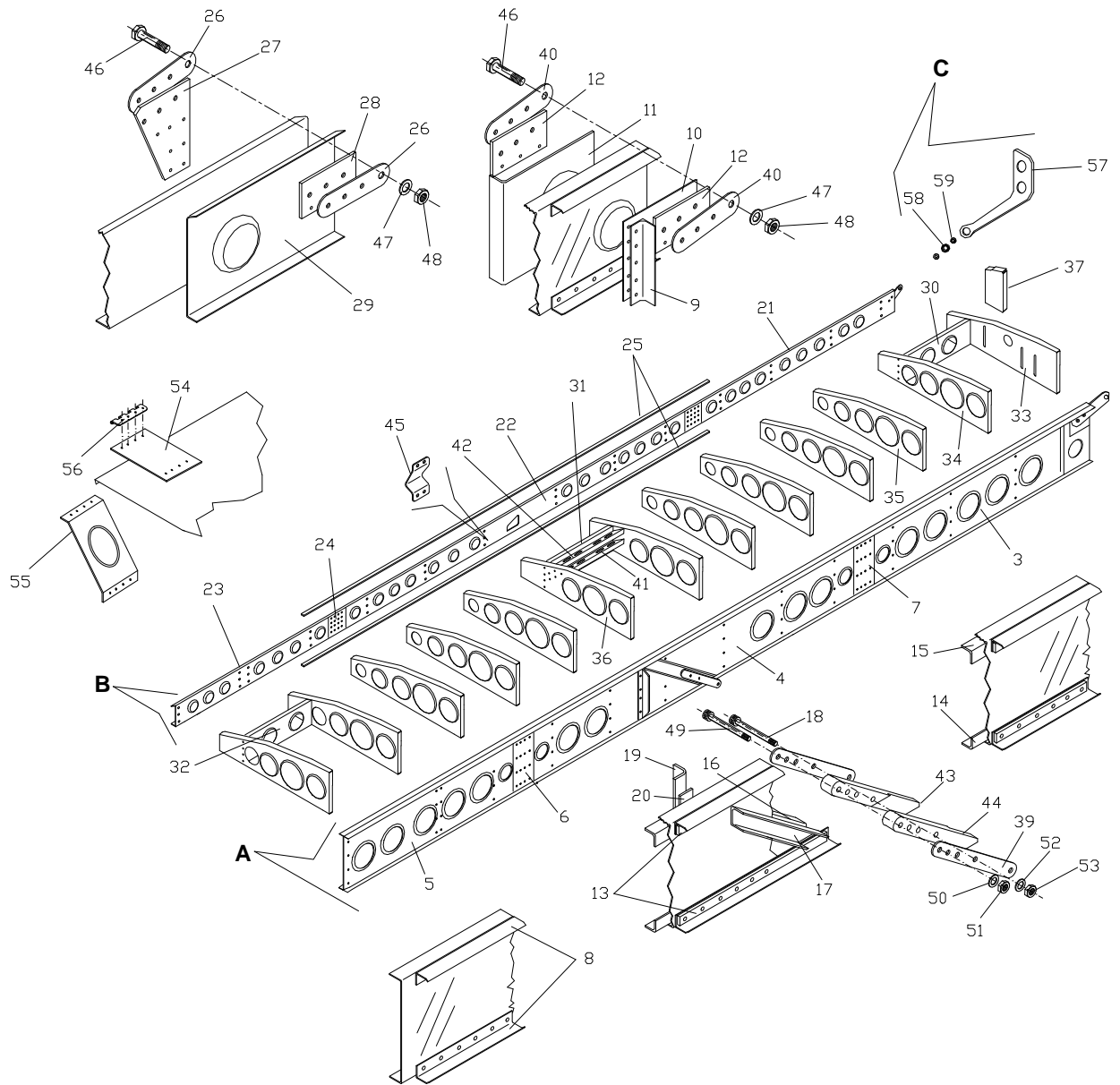


Fig. 1.1 Wing Structure

*WING STRUCTURE*

ITEM	P/N	DESCRIPTION	qty
1	20-1-100-001	MAIN HALF WING ASSEMBLY LH	1
2	20-1-100-002	MAIN HALF WING ASSEMBLY RH	1
A	20-1-110-001	FRONT (MAIN) SPAR ASSEMBLY LH	1
	20-1-110-002	FRONT (MAIN) SPAR ASSEMBLY RH	1
B	20-1-210-001	REAR SPAR ASSEMBLY LH	1
	20-1-210-002	REAR SPAR ASSEMBLY RH	1
3	92-1-701-1	SPAR WEB - ROOT SECTION LH	2
	92-1-701-2	SPAR WEB - ROOT SECTION RH	2
	92-1-701-3	SPAR WEB - CENTRE SECTION LH	2
4	92-1-701-4	SPAR WEB -CENTRE SECTION RH	2
	20-1-120-1	SPAR WEB - TIP SECTION LH	2
5	20-1-120-2	SPAR WEB - TIP SECTION RH	2
6	92-1-702-1	MAIN SPAR JOINT PLATE - CENTRE SECTION	2
7	92-1-702-2	MAIN SPAR JOINT PLATE - ROOT SECTION	2
8	20-1-120-3	FLANGE ANGLE TO MAIN SPAR	8
9	92-1-705-1	REINFORCING ANGLE - VERTICAL	2
10	92-1-705-2	SPACER PLATE - "L" SHAPED	2
11	92-1-705-3	SPACER PLATE WITH HOLE	2
12	92-1-705-4	SPACER PLATE - RECTANGULAR	2
13	92-1-708-1	FLANGE REINFORCING ANGLE	4
14	92-1-708-2	REINFORCING ANGLE INTERNAL - UPPER	2
15	92-1-708-4	REINFORCING ANGLE INTERNAL - LOWER	2
16	92-1-711-1	REINFORCING CHANNEL (INTERNAL)FOR STRUT ATTACH LUGS	2
17	92-1-714-2	REINFORCING CHANNEL (EXTERNAL)FOR STRUT ATTACH LUGS	2
18	UNI 5931	BOLT - HEX SOCKET - M4 CR8.8 L=62 MM	4
19	92-1-712-2	VERTICAL REINFORCING ANGLE - CENTRAL	2
20	92-1-711-2	REINFORCING SPACER PLATE - CENTRAL	2
21	92-1-707-2	REAR SPAR WEB - ROOT SECTION	2
22	92-1-707-4	REAR SPAR WEB - CENTRAL SECTION	2
23	20-1-220-1/2	REAR SPAR WEB - TIP SECTION	2
24	92-1-703-1	REAR SPAR WEB JOINT PLATE	4
25	92-1-708-3	REINFORCING ANGLE - REAR SPAR	4
26	92-1-706-2	REAR SPAR WING ATTACH LUG PLATE	4
27	92-1-709-1	SPACER PLATE FOR WING ATTACH LUG -REAR - (TRAPEZOID)	2
28	92-1-705-4	SPACER PLATE FOR WING ATTACH LUG -REAR - (RECTANGULAR)	2
29	92-1-710-2	REINFORCING PLATE FOR REAR WING ATTACH LUG ASSY.	2

*WING STRUCTURE*

ITEM	P/N	DESCRIPTION	qty
30	92-1-104-1	BULKHEAD - ROOT SECTION	2
31	92-1-104-2	BULKHEAD AILERON BELLCRANK MOUNTING SECTION LH	1
	92-1-104-3	BULKHEAD AILERON BELLCRANK MOUNTING SECTION RH	1
33	92-1-107-1	RIB - 1 HOLE LH	1
	92-1-107-2	RIB - 1 HOLE RH	1
34	92-1-108-1	RIB - 4 HOLES LH	3
	92-1-108-2	RIB - 4 HOLES RH	3
35	92-1-109-1	RIB - 5 HOLES LH	7
	92-1-109-2	RIB - 5 HOLES RH	7
36	92-1-110-1	RIB - 3 HOLES LH	1
	92-1-110-2	RIB - 3 HOLES RH	1
37	20-1-132-1	ROOT RIB REINFORCING PLATE LH	1
	20-1-132-2	ROOT RIB REINFORCING PLATE RH	1
39	92-1-706-1	FLYING STRUT ATTACHMENT PLATE (LUG)	4
40	92-1-706-2	MAIN WING ATTACHMENT LUG (FRONT)	4
41	92-1-115-1	AILERON BELLCRANK SUPPORT PLATE - UPPER LH	1
	92-1-115-2	AILERON BELLCRANK SUPPORT PLATE - LOWER LH	1
42	92-1-116-1	AILERON BELLCRANK SUPPORT PLATE - UPPER RH	1
	92-1-116-2	AILERON BELLCRANK SUPPORT PLATE - LOWER RH	1
43	92-1-714-2	FLYING STRUT ATTACH LUG SPACER - INTERNAL LH	1
	92-1-714-1	FLYING STRUT ATTACH LUG SPACER - INTERNAL RH	1
44	92-1-712-2	FLYING STRUT ATTACH LUG SPACER - EXTERNAL LH	1
	92-1-712-1	FLYING STRUT ATTACH LUG SPACER - EXTERNAL RH	1
45	20-1-122-1	END STOP - AILERON TRAVEL	2
46	UNI5739-D8L25	BOLT T.E. M8 CR8.8 L=25 MM	4
47	UNI6592-D8	FLAT WASHER D=8	4
48	UNI7473-D8	SELF LOCKING NUT M8	4
49	UNI5931-D6L62	HEX SOCKET HEAD BOLT M6 CR8.8 L=62 MM	6
50	UNI6592-D6	FLAT WASHER D=6	6
51	UNI7473-D6	SELF LOCKING NUT M6	6
52	UNI6592-D4	FLAT WASHER D=4	2
53	UNI7473-D4	SELF LOCKING NUT M4	2
54	96-1-142-1	AILERON HINGE MOUNT PLATE	4
55	96-1-142-2	BUTTRESS PLATE	4
56	96-1-142-4	HINGE	4

*WING STRUCTURE*

ITEM	P/N	DESCRIPTION	qty
<b>C</b>	20-1-130-000	FLAP SUPPORT ASSY.	4
<b>57</b>	20-1-130-1	FLAP HINGE MOUNT ARM (PLATE)	4
<b>58</b>	92-3-530-3	BEARING SKF GE 10E	4
<b>59</b>	92-3-531-1	BUSH	8

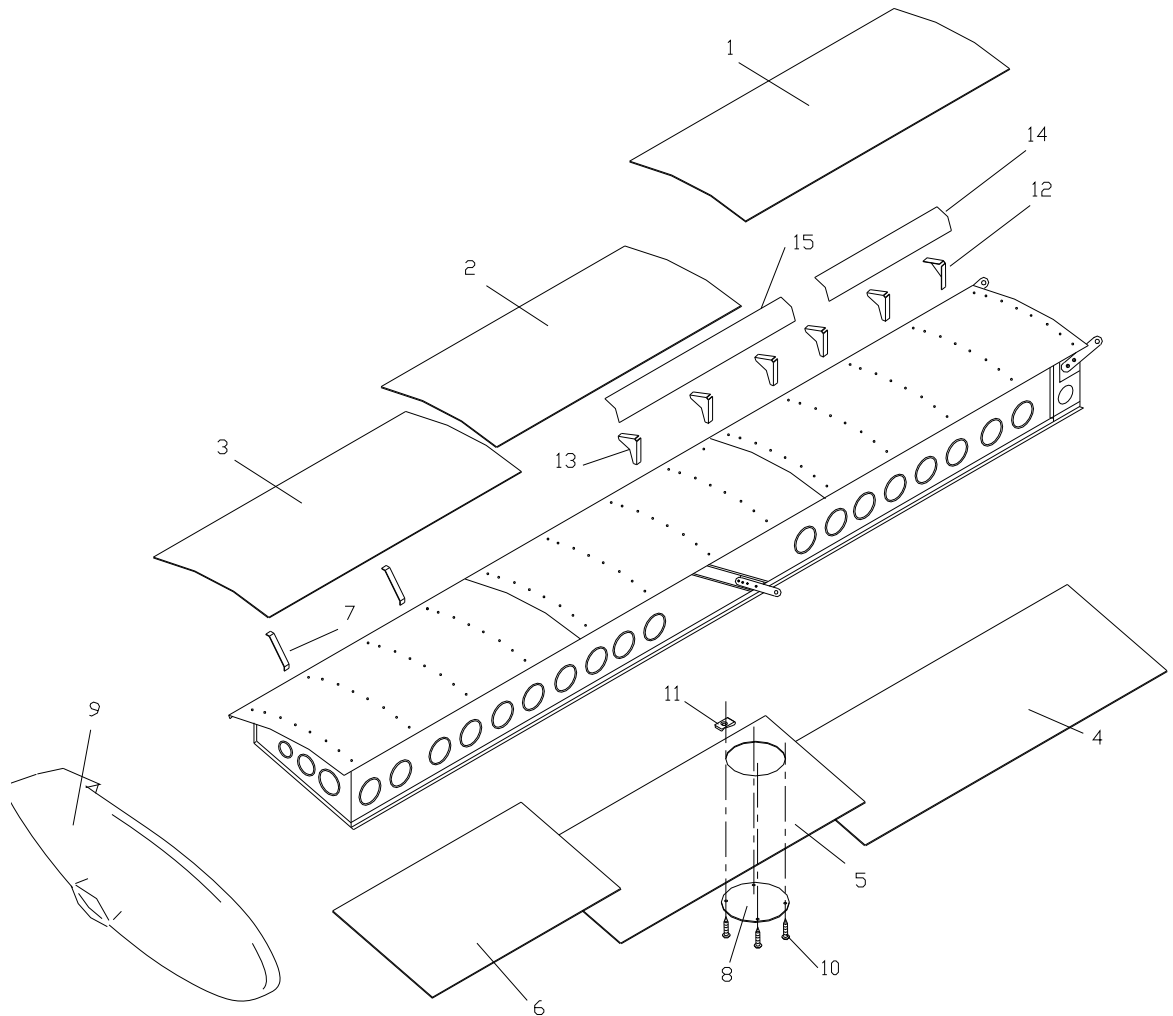


Fig. 1.2 WING SKIN

*WING SKIN*

ITEM	P/N	DESCRIPTION	qty
<b>1</b>	20-1-140-1	SKIN PANEL - UPPER - ROOT SECTION LH	1
	20-1-140-2	SKIN PANEL - UPPER - ROOT SECTION RH	1
<b>2</b>	20-1-140-3	SKIN PANEL - UPPER - CENTRE SECTION LH	1
	20-1-140-4	SKIN PANEL - UPPER - CENTRE SECTION RH	1
<b>3</b>	20-1-140-5	SKIN PANEL - UPPER - TIP SECTION LH	1
	20-1-140-6	SKIN PANEL - UPPER - TIP SECTION RH	1
<b>4</b>	20-1-142-3	SKIN PANEL - LOWER - ROOT SECTION LH & RH	2
<b>5</b>	20-1-142-2	SKIN PANEL - LOWER - CENTRE SECTION LH & RH	2
<b>6</b>	20-1-142-1	SKIN PANEL - LOWER - TIP SECTION LH & RH	2
<b>7</b>	92-1-117-2	PANEL EDGE SUPPORT BRACKET - AILERON AREA	8
<b>7 BIS</b>	92-1-117-1	PANEL EDGE SUPPORT BRACKET - FLAP AREA	12
<b>8</b>	92-1-119-1	INSPECTION HATCH COVER	2
<b>9</b>	92-1-310-3	WING TIP MOULDING LH (S-ECHO)	1
	92-1-310-4	WING TIP MOULDING RH (S-ECHO)	1
<b>10</b>	UNI 6954-L13	SELF TAPPING SCREWS L=13 MM	8
<b>11</b>	A-1784-6Z1	TINNERMANN	8
<b>12</b>	20-1-228-1	RIB SLOT LH	5+1
<b>13</b>	20-1-228-2	RIB SLOT RH	1+5
<b>14</b>	20-1-230-1	SKIN FOR SLOT- INBOARD	2
<b>15</b>	20-1-230-2	SKIN FOR SLOT- OUTBOARD	2

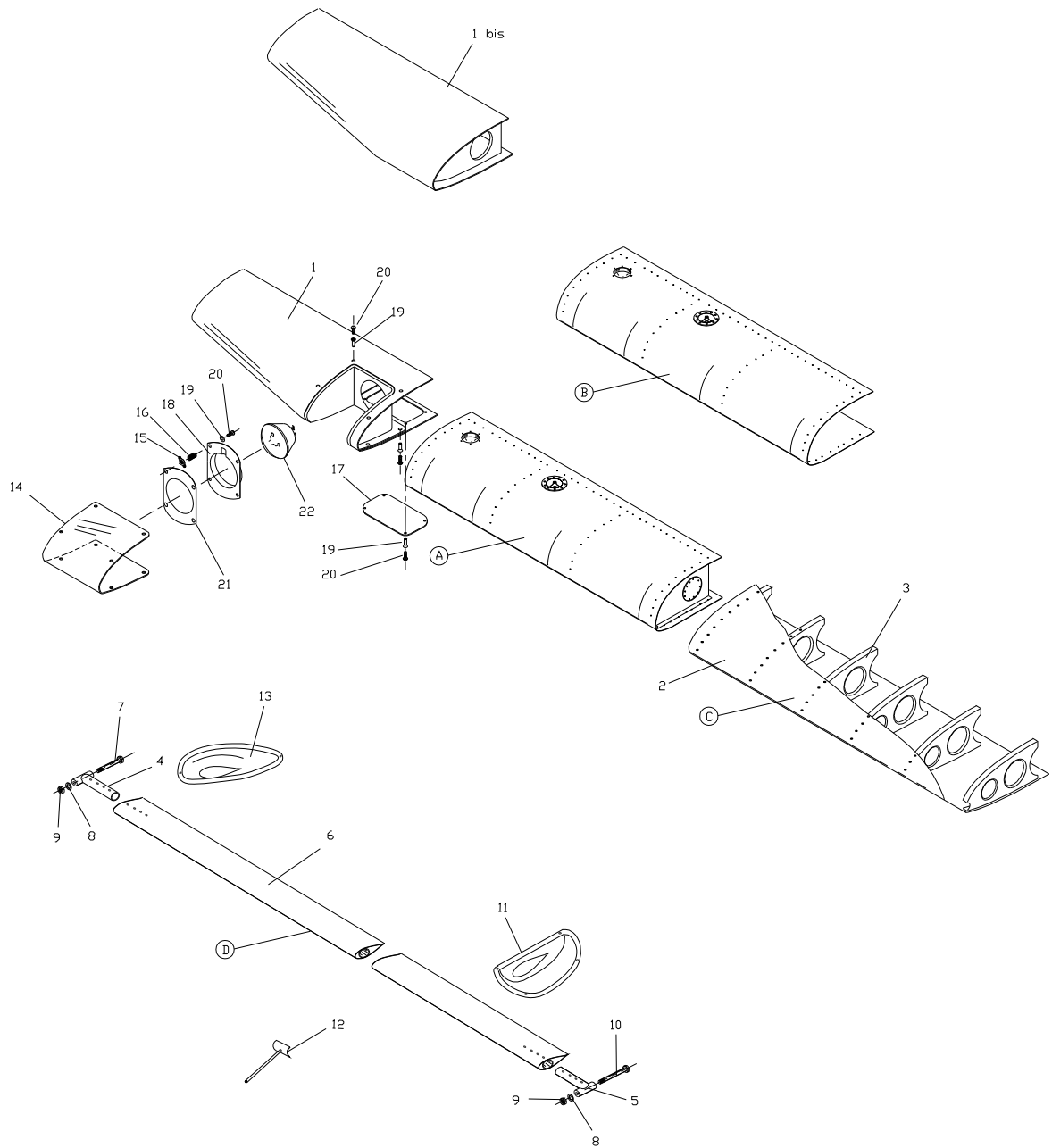


Fig. 1.3 LEADING EDGE , FLYING STRUTS & LANDING LIGHTS ASSY.  
(Fuel tank 45 lt (opt) and 35lts)



*LEADING EDGE ('D' BOX)*

ITEM	P/N	DESCRIPTION	qty
<b>A</b>	21-1-340-002	FUEL TANK 45 LTRS (OPTIONAL) - RH	1
	21-1-340-001	FUEL TANK 45 LTRS (OPTIONAL) - LH	1
<b>B</b>	21-1-300-002	FUEL TANK 35 LTRS - RH	1
	21-1-300-001	FUEL TANK 35 LTRS - LH	1
<b>1</b>	21-1-910-1	WING ROOT MOULDING FOR LANDING LIGHT LH (JS ONLY)	1
<b>1BIS</b>	92-1-900-1	WING ROOT MOULDING LH (ECHO SUPER)	1
	92-1-900-2	WING ROOT MOULDING RH ( JS & ECHO SUPER)	1
<b>C</b>	20-1-240-002	LEADING EDGE ASSY LH	1
	20-1-240-001	LEADING EDGE ASSY RH	1
<b>2</b>	20-1-241-1	LEADING EDGE SKIN PANEL LH	1
	20-1-241-2	LEADING EDGE SKIN PANEL RH	1
<b>3</b>	92-1-300-1	RIB L.E. - LH	6
	92-1-300-2	RIB L.E. -RH	6
<b>D</b>	21-1-400-002	FLYING STRUT ASSY. LH (JS)	1
	21-1-400-001	FLYING STRUT ASSY. RH (JS)	1
	21-1-410-002	FLYING STRUT ASSY. RH (ECHO SUPER)	1
	21-1-410-001	FLYING STRUT ASSY. LH (ECHO SUPER)	1
<b>4</b>	92-1-840-000	FLYING STRUT ATTACHMENT FORGING -LOWER -(JS)	2
	92-1-820-1	FLYING STRUT ATTACHMENT FORGING -LOWER - (ECHO SUPER)	2
<b>5</b>	92-1-845-000	FLYING STRUT ATTACHMENT FORGING -UPPER -(JS)	2
	92-1-810-1	FLYING STRUT ATTACHMENT FORGING -UPPER - (ECHO SUPER)	2
<b>6</b>	21-1-402-1	FLYING STRUT AEROFOIL SECTION (JS)	2
	21-1-412-1	FLYING STRUT AEROFOIL SECTION (ECHO SUPER)	2
<b>7</b>	UNI 5737	BOLT T.E. M8 CR8.8 L=75 MM	2
<b>8</b>	UNI 6592	FLAT WASHER D=8	4
<b>9</b>	UNI 7473	SELF LOCKING NUT M8	4
<b>10</b>	UNI 5737	BOLT T.E. M8 CR8.8 L=65 MM (THREAD. L=25 MM)	2
<b>11</b>	92-1-200-1/2	STRUT FAIRING UPPER LH & RH	1+1
<b>12</b>	92-9-920-000	PITOT TUBE ASSY. LH ONLY	1
<b>13</b>	92-1-200-3/4	STRUT FAIRING LOWER LH & RH	1+1
<b>14</b>	21-1-924-1	LANDING LIGHT LENS	1
<b>15</b>	-	CAPTIVE NUT FOR FACIA	4
<b>16</b>	-	HELICAL SPRING FOR SUSPENSION ADJUSTMENT	4
<b>17</b>	21-1-912-1	INSPECTION HATCH FOR LANDING LIGHT	1
<b>18</b>	21-1920-1	LAMP MOUNT RIM	1
<b>19</b>	M4 FTS/C	RIV-NUT	-

<b>20</b>	-	FACIA SCREW	-
<b>21</b>	21-1-922-1	FLANGE	1
<b>22</b>	PHILIPS 45-09	LAMP (13V)	1

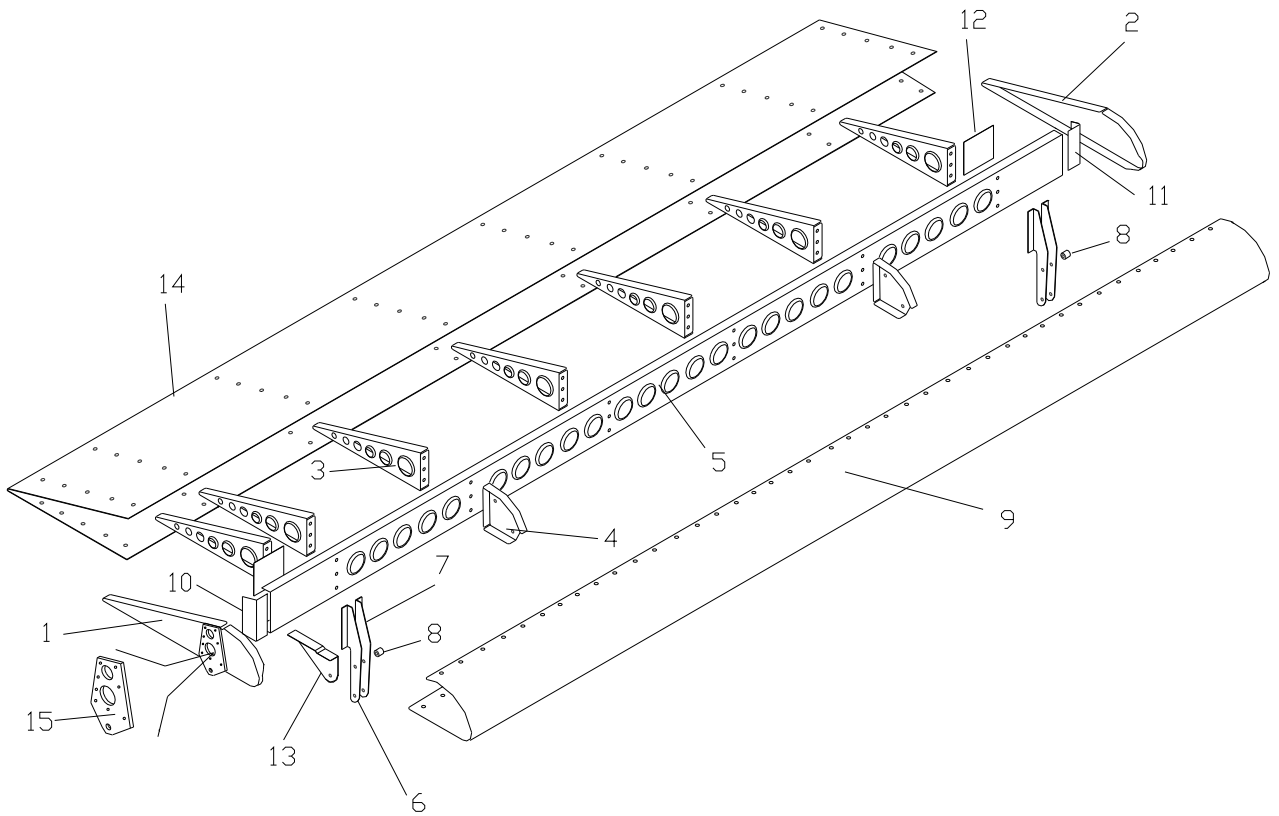


Fig. 1.4 FLAP

*FLAP*

ITEM	P/N	DESCRIPTION	qty
	21-1-200-001	FLAP ASSY. LH	1
	21-1-200-002	FLAP ASSY. RH	1
<b>1</b>	21-1-201-1	END RIB LH	2
<b>2</b>	21-1-201-1	END RIB RH	2
<b>3</b>	92-1-402-1	RIB	14
<b>4</b>	20-1-202-1	RIB NOSE	4
<b>5</b>	21-1-205-1	SPAR LH	2
	21-1-205-2	SPAR RH	2
<b>6</b>	20-1-204-2	HINGE ATTACH ARM RH	4
<b>7</b>	20-1-204-1	HINGE ATTACH ARM LH	4
<b>8</b>	20-1-204-3	SPACER BUSH	4
<b>9</b>	21-1-203-1	LEADING EDGE SKIN LH	1
	21-1-203-2	LEADING EDGE SKIN RH	1
<b>10</b>	92-1-410-5	REINFORCING ANGLE - INBOARD END LH	2
	92-1-410-6	REINFORCING ANGLE - INBOARD END RH	2
<b>11</b>	92-1-410-3	REINFORCING ANGLE - OUTBOARD END LH	2
	92-1-410-4	REINFORCING ANGLE - OUTBOARD END RH	2
<b>12</b>	20-1-209-1	REINFORCING PLATE	4
<b>13</b>	20-1-208-1	REINFORCING PLATE - HINGE ATTACH. LH	1
	20-1-208-2	REINFORCING PLATE - HINGE ATTACH. RH	1
<b>14</b>	21-1-207-1	SKIN TO TRAILING EDGE LH	1
	21-1-207-2	SKIN TO TRAILING EDGE RH	1
<b>15</b>	20-1-229-1	CONTROL HORN PLATE	1

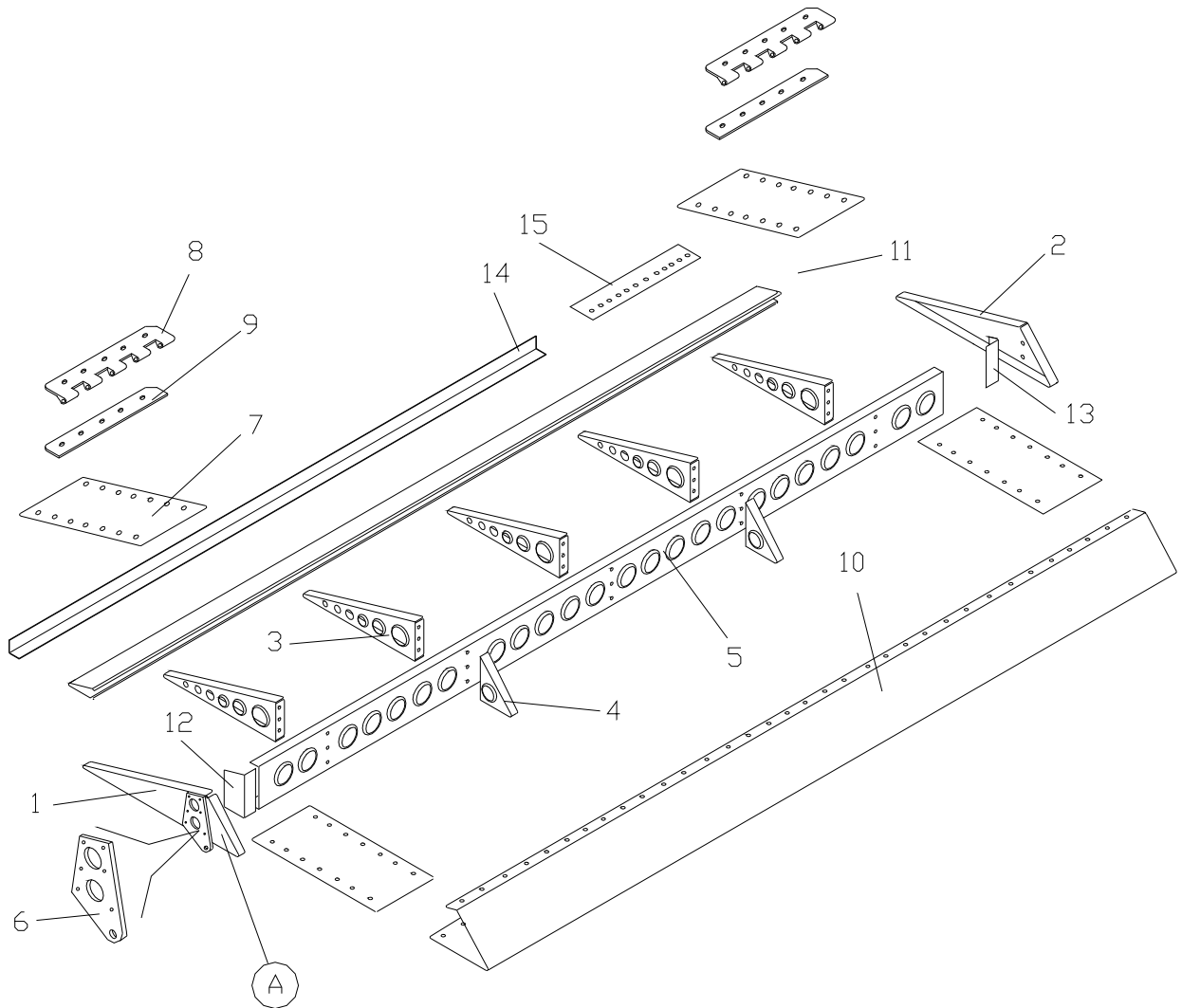


Fig. 1.5 AILERON

*AILERON*

ITEM	P/N	DESCRIPTION	qty
	20-1-220-001	AILERON ASSY. LH	1
	20-1-220-002	AILERON ASSY. RH	1
<b>A</b>	20-1-225-001	RIB WITH CONTROL HOR ATTACHED LH	1
	20-1-225-002	RIB WITH CONTROL HOR ATTACHED RH	1
<b>1</b>	92-1-401-1	END RIB (INBOARD) LH	1
<b>2</b>	92-1-401-2	END RIB (INBOARD) RH	1
<b>3</b>	92-1-402-1	RIB	10
<b>4</b>	92-1-403-1	RIB NOSE	4
<b>5</b>	20-1-221-1	SPAR	2
<b>6</b>	92-1-405-1	CONTROL HORN PLATE - AILERON	2
<b>7</b>	92-1-406-1	SMALL SKIN PANEL (END)	8
<b>8</b>	92-1-407-1	HINGE TYPE MS20001-4	4
<b>9</b>	92-1-407-2	HINGE LEAF SPACER PLATE	4
<b>10</b>	20-1-222-1	LEADING EDGE SKIN PANEL	2
<b>11</b>	20-1-223-2	TRAILING EDGE SKIN PANEL	2
<b>12</b>	92-1-410-1	REINFORCING ANGLE - INBOARD LH	1
	92-1-410-2	REINFORCING ANGLE - INBOARD RH	1
<b>13</b>	92-1-410-3	REINFORCING ANGLE - OUTBOARD LH	1
	92-1-410-4	REINFORCING ANGLE - OUTBOARD RH	1
<b>14</b>	20-1-224-1	COMPENSATOR ANGLE LH	1
	20-1-224-2	COMPENSATOR ANGLE RH	1
<b>15</b>	92-1-409-2	TRIM TAB (LH ONLY)	1

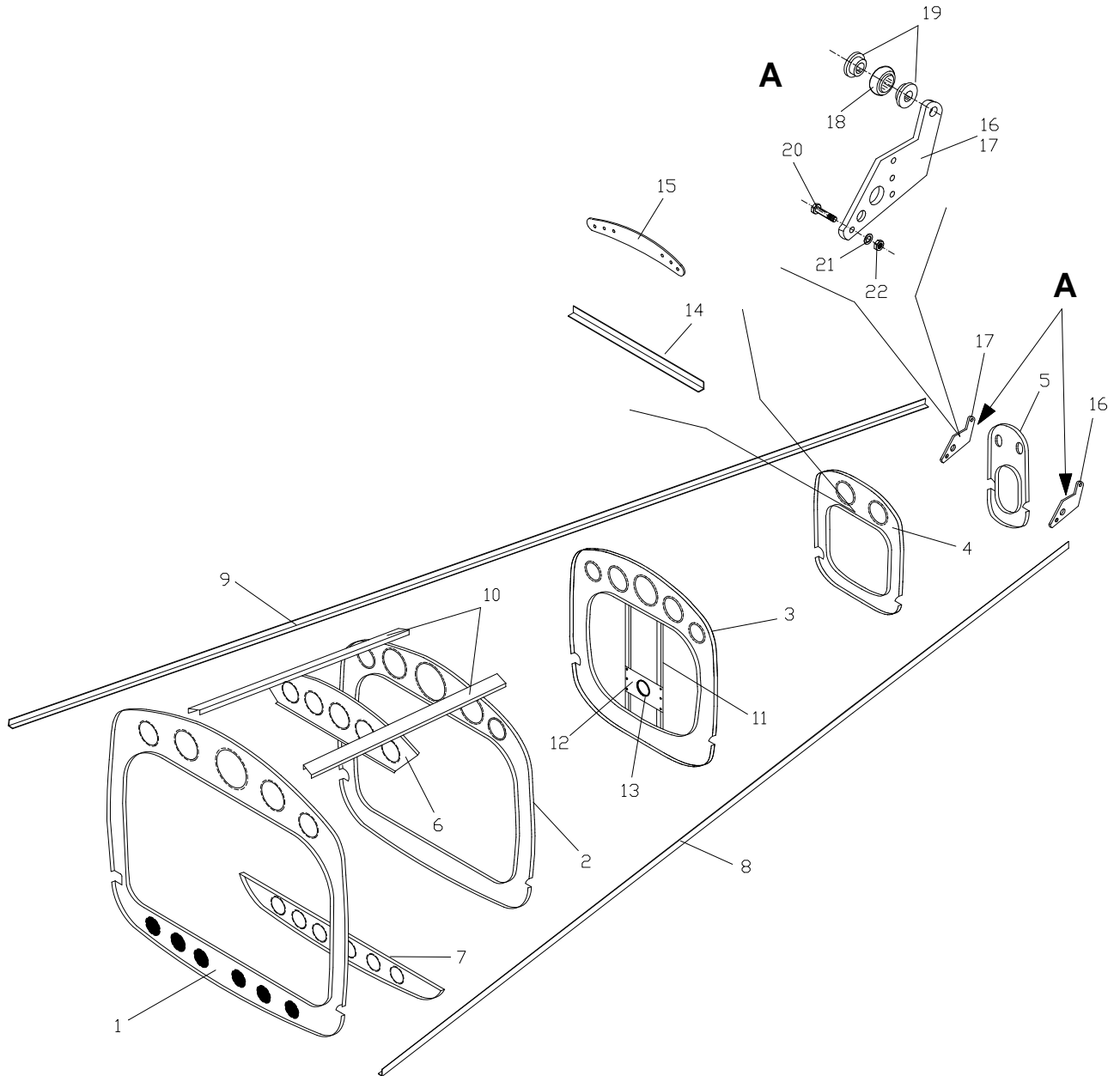


Fig. 2.1 TAIL CONE ASSEMBLY

### TAIL CONE

ITEM	P/N	DESCRIPTION	qty
	21-3-100-000	TAIL CONE ASSEMBLY	1
<b>1</b>	21-3-110-1	FORMER NO: 1	1
<b>2</b>	21-3-112-1	FORMER NO: 2	1
<b>3</b>	21-3-114-1	FORMER NO: 3	1
<b>4</b>	21-3-116-1	FORMER NO: 4	1
<b>5</b>	20-3-118-1	FORMER NO: 5	1
<b>6</b>	96-3-100-1	1/2 FORMER UPPER	1
<b>7</b>	21-3-122-1	1/2 FORMER LOWER	1
<b>8</b>	20-3-210-1	VENTRAL LONGERON LH	1
<b>9</b>	20-3-210-2	VENTRAL LONGERON RH	1
<b>10</b>	20-3-210-3	UPPER CABIN ATTACHMENT LONGERON	2
<b>11</b>	21-3-212-1	ATTACHMENT ANGLE FOR PUSH-PULL TUBE SUPPORT PLATE	1
<b>12</b>	20-3-214-1	SUPPORT PLATE FOR PUSH-PULL TUBE	1
<b>13</b>	COMMERCIALE	RUBBER GROMMET	1
<b>14</b>	92-3-440-2	REINFORCING ANGLE FOR FORMER NO: 4	1
<b>15</b>	92-3-440-3	REINFORCING PLATE (CRESCENT MOON) ON FORMER NO:4	1
<b>A</b>	92-3-530-001	STABILATOR SUPPORT ASSY. LH	1
	92-3-530-002	STABILATOR SUPPORT ASSY. RH	1
<b>16</b>	92-3-530-1	STABILATOR SUPPORT PLATE LH	1
<b>17</b>	92-3-530-2	STABILATOR SUPPORT PLATE RH	1
<b>18</b>	92-3-530-3	BEARING RACE SKF GE10 E	2
<b>19</b>	92-3-531-1	BEARING CAP	4
<b>20</b>	UNI 5739-D8L20	BOLT T.E. M4 CR8.8 L=20 MM	8
<b>21</b>	UNI 6592-D8	WASHER D=8	8
<b>22</b>	UNI 7473-D8	SELF LOCKING NUT M4	8



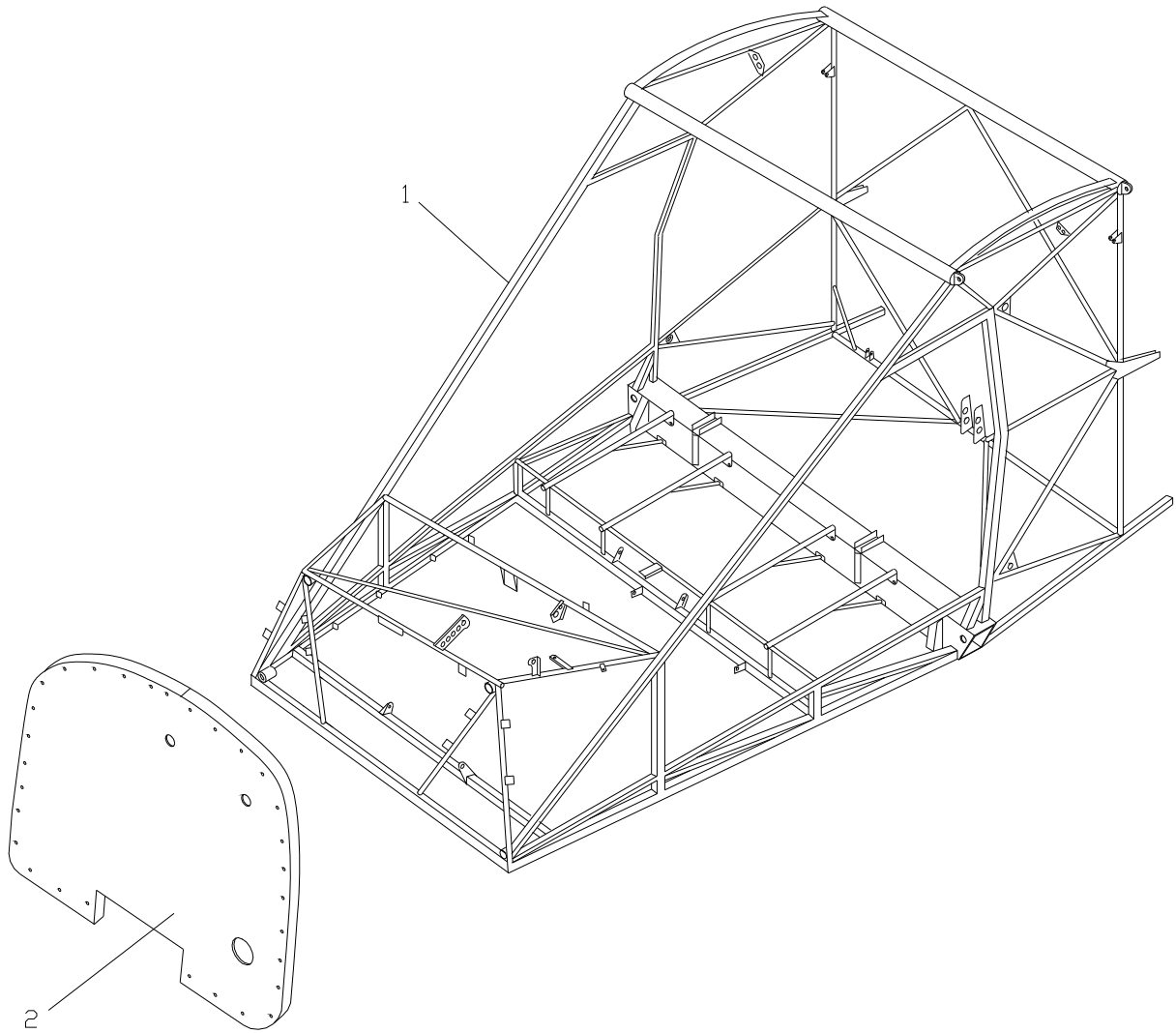


Fig. 2.2 CABIN FRAME

*CABIN FRAME*

ITE M.	P/N	DESCRIPTION	qty
1	21-2-100-000	CABIN FRAME ASSEMBLY	1
2	21-2-700-000	FIREWALL – ECHO SUPER (Al)	1
	21-2-710-000	FIREWALL – JS (STAINLESS STEEL)	1

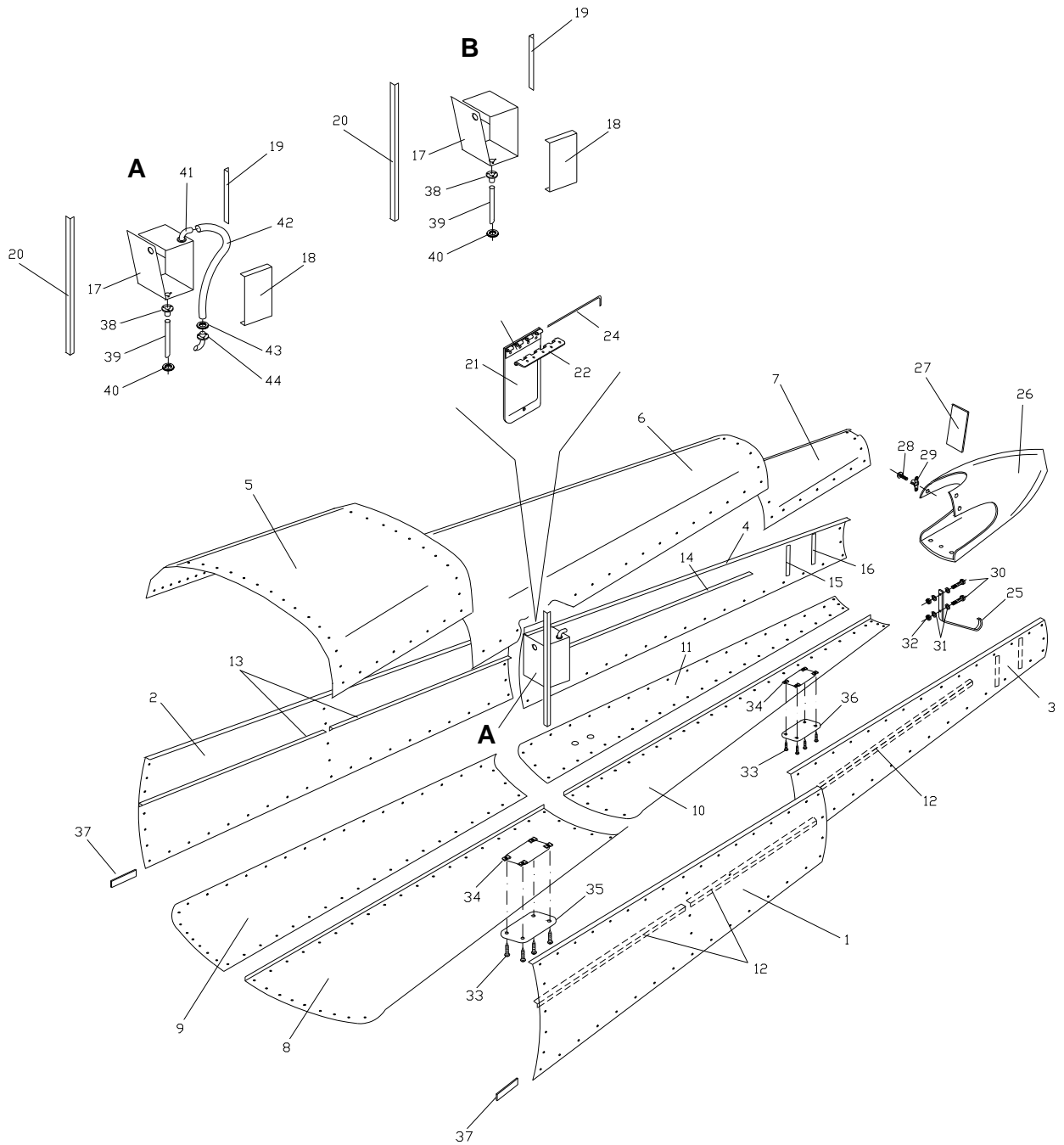


Fig. 2.3 TAIL CONE ASSEMBLY

*TAILCONE SKIN & FITTINGS*

ITE M.	P/N	DESCRIPTION	qty
1	92-3-460-1	PANEL - SIDE - FRONT LH	1
2	92-3-460-2	PANEL - SIDE - FRONT RH	1
3	92-3-460-3	PANEL - SIDE - REAR LH	1
4	92-3-460-4	PANEL - SIDE - REAR RH (BATTERY COMPARTMENT)	1
5	20-3-450-1	PANEL - TOP - FRONT	1
6	20-3-452-1	PANEL - TOP - MIDDLE PANNELLO RIVESTIMENTO DORSALE CENTRALE	1
7	20-3-454-1	PANEL - TOP - REAR	1
8	21-3-470-1	PANEL - BOTTOM - FRONT LH	1
9	21-3-470-2	PANEL - BOTTOM - FRONT RH	1
10	20-3-472-1	PANEL - BOTTOM - REAR LH	1
11	20-3-472-2	PANEL - BOTTOM - REAR. RH	1
12	92-3-510-5	SIDE PANEL STIFFENING ANGLES LH	3
13	92-3-510-6	SIDE PANEL STIFFENING ANGLES RH	2
14	92-3-510-7	SIDE PANEL STIFFENING ANGLE BATTERY SIDE	1
15	92-3-512-1/2	TAIL END VERTICAL STIFFENERS (FWD-RH/LH)	1+1
16	92-3-512-3/4	TAIL END VERTICAL STIFFENERS (AFT -LH/RH)	1+1
A	21-3-540-000	BATTERY COMPARTMENT ASSY. (JS)	1
B		BATTERY COMPARTMENT ASSY (ECHO SUPER)	1
17	92-3-540-1	SIDE WALL	1
18	92-3-540-2	BASE	1
19	21-3-540-1	ANGLE FOR ATTACHMENT TO FORMER	1
20	20-3-540-2	ANGLE (SHAPED TO CONTOUR OF PANEL)	1
21	92-3-540-3	BATTERY COMPARTMENT HATCH	1
22	92-3-540-4	BATTERY COMPARTMENT HATCH HINGE MOUNT ON FUSELAGE	1
23	92-3-540-5	HINGE - BATTERY COMPARTMENT HATCH	1
24	92-3-540-6	HINGE PIN	1
25	20-3-550-1	TAIL SKID	1
26	20-3-560-1	TAIL CONE END MOULDING	1
27	20-3-545-1	SPACER - RUDDER	1
28	UNI7688-D4L12	BOLT T.T. M4 L=12 MM	7
29		CAPTIVE NUT M4	7
30	UNI5739-D8L20	BOLT T.E. M6 CR 8.8 L=20 MM	2
31	UNI6592-D6	FLAT WASHER D=6	4
32	UNI7473-D6	SELF LOCKING NUT M6	2

*TAILCONE SKIN & FITTINGS*

ITEM	P/N	DESCRIPTION	QTY
<b>33</b>		SELF TAP SCREWS	8
<b>34</b>	A-1784-6Z1	TINNERMANN	8
<b>35</b>	20-3-602-1	INSPECTION HATCH - CENTRAL	1
<b>36</b>	20-3-604-1	INSPECTION HATCH - REAR	1
<b>37</b>	20-3-545-2	SPACER FOR ATTACHMENT OF TAIL CONE TO CABIN FRAME	2
	21-3-542-000	DRAIN TUBE ASSY. (JS-ECHO SUPER)	1
<b>38</b>	92-3-541-1	DRAIN TUBE FLANGE	1
<b>39</b>	21-3-542-1	DRAIN TUBE	1
<b>40</b>		RUBBER WASHER	1
<b>41</b>	92-3-541-000	PETO TUBE ASSY. (JS)	1
<b>42</b>		PETO TUBING	1
<b>43</b>		WASHER	1
<b>44</b>		VENT (EXIT)	1

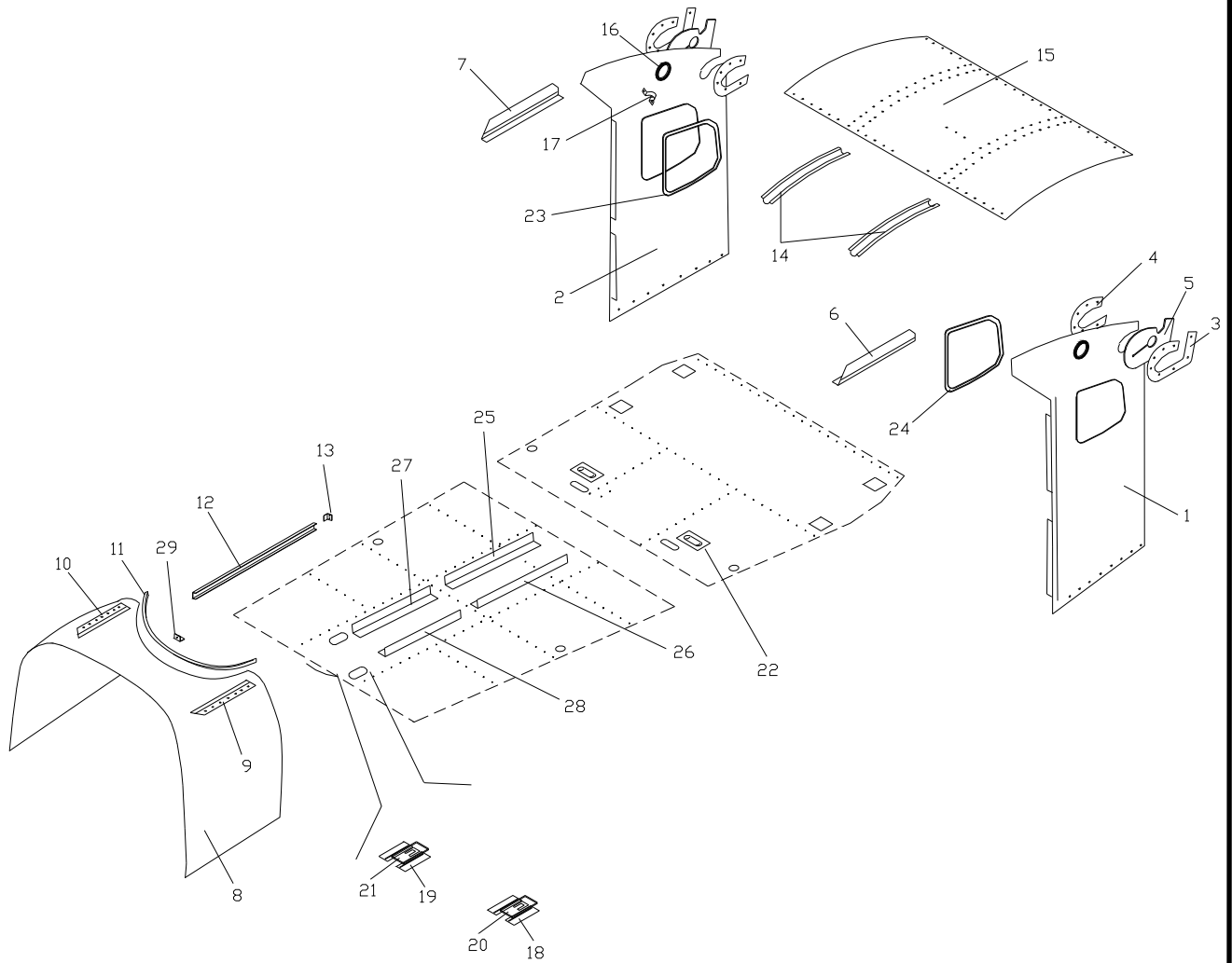


Fig. 2.4 CABIN SKIN

### CABIN SKIN

ITEM	P/N	DESCRIPTION	QTY
1	21-2-302-1	PANEL SIDE REAR LH CABIN	1
2	21-2-302-2	PANEL SIDE REAR RH CABIN	1
3	92-2-110-1	FLAP CONTROL OPENING REINFORCEMENT PLATE EXTERNAL	2
4	92-2-110-2	FLAP CONTROL OPENING REINFORCEMENT PLATE INTERNAL	2
5	20-2-311-1	RUBBER GAITER - FLAP CONTROL ARM	2
6	92-2-125-1	ANGLE PANEL OVER DOOR OPENING LH	1
7	92-2-125-2	ANGLE PANEL OVER DOOR OPENING RH	1
8	21-2-304-1	COAMING PANEL OVER INSTRUMENT PANEL	1
9	92-2-105-1	COAMING ACCESS PANEL GUIDE STRIP LH	1
10	92-2-105-2	COAMING ACCESS PANEL GUIDE STRIP RH	1
11	92-2-123-1	COAMING EDGE SUPPORT RIM	1
12	20-2-712-1	ANGLE BRACE FOR INSTRUMENT PANEL	1
13	20-2-713-1	BRACE STTACHMENT ANGLE FOR INSTRUMENT PANEL	1
14	92-2-106-2	CABIN ROOF STIFFENING CHANNEL	2
15	92-2-106-1	CABIN ROOF	1
16		GROMMET D=38 MM	2
17	92-2-104-4	PANEL BRACKET	2
18	92-5-906-1	GUIDE CHANNEL LH	1
19	92-5-906-2	GUIDE CHANNEL RH	1
20	92-5-906-3	LEXAN SEALING SLIDE PLATE WITH CUT-OUT LH	1
21	92-5-906-4	LEXAN SEALING SLIDE PLATE WITH CUT-OUT RH	1
22	92-2-111-1	DISHED PLATE	2
23	21-2-306-1	WINDOW SURROUND LH	1
24	21-2-306-2	WINDOW SURROUND RH	1
25	21-12-123-2	FIXING ANGLE FOR TUNNEL FOOT	1
26	21-12-123-2	FIXING ANGLE FOR TUNNEL FOOT	1
27	21-12-123-1	FIXING ANGLE FOR TUNNEL FOOT	1
28	21-12-123-1	FIXING ANGLE FOR TUNNEL FOOT	1
29		SUPPORT ANGLE - INSTRUMENT PANEL	1

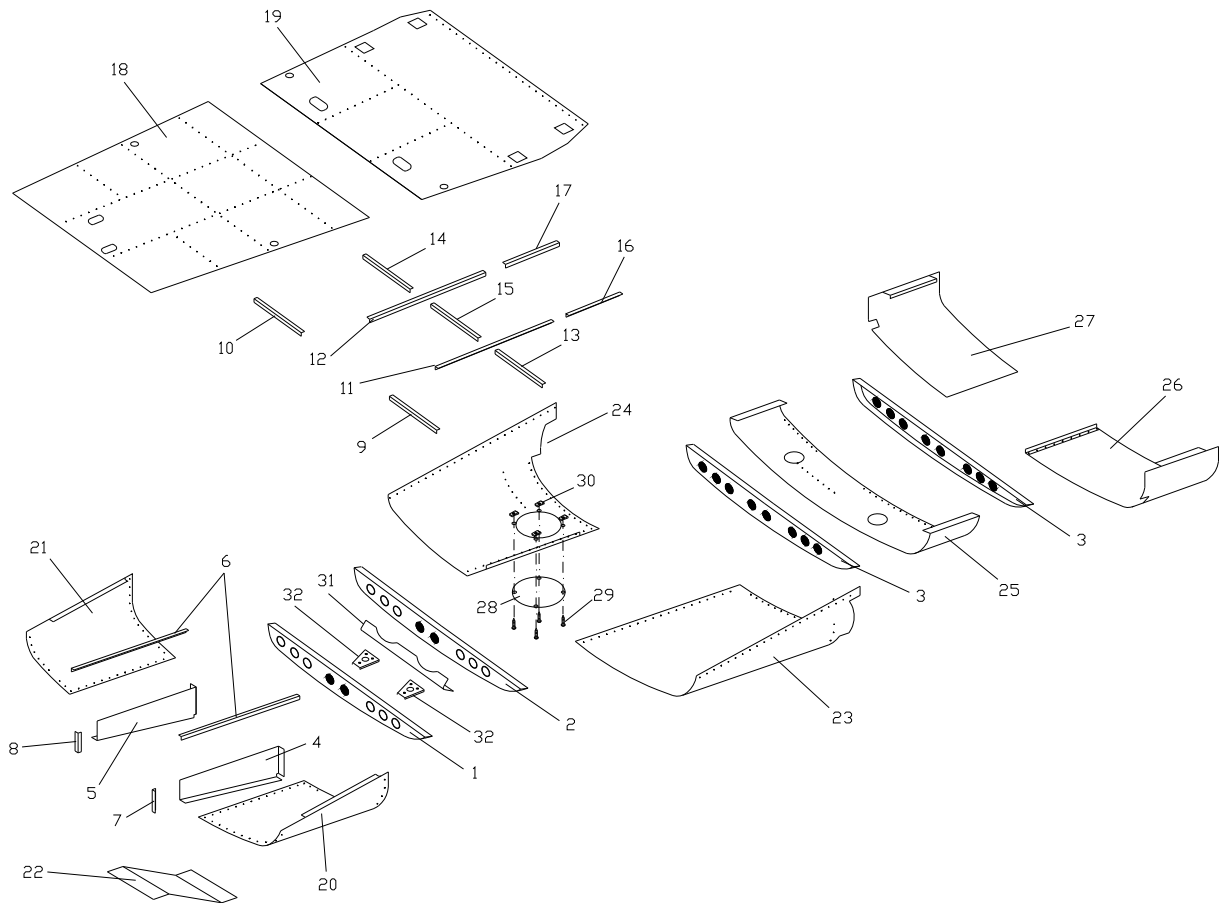


Fig. 2.5 LOWER CABIN SHELL



*LOWER CABIN SHELL*

ITEM	P/N	DESCRIPTION	qty
1	21-2-610-1	FORMER/RIB N° 1	1
2	21-2-611-1	FORMER/RIB N° 2	1
3	21-2-612-1	FORMER/RIB N° 3/4	2
4	21-2-615-1	INTERNAL BULKHEAD LH	1
5	21-2-615-2	INTERNAL BULKHEAD RH	1
6	21-2-616-1	ANGLE - BULKHEAD/FLOOR	2
7	21-2-620-1	ANGLE - FIREWALL/BULKHEAD LH	1
8	21-2-620-2	ANGLE - FIREWALL/BULKHEAD RH	1
9	21-2-618-1	TRANSVERSE ANGLE - FRONT LH	1
10	21-2-618-2	TRANSVERSE ANGLE - FRONT RH	1
11	21-2-622-1	LONGITUDINAL ANGLE	1
12	21-2-622-1	LONGITUDINAL ANGLE	1
13	21-2-624-1	TRANSVERSE ANGLE -CENTRAL LH	1
14	21-2-624-2	TRANSVERSE ANGLE -CENTRAL RH	1
15	21-2-624-3	TRANSVERSE ANGLE FOR MIDDLE SPACE	1
16	21-2-622-1	LONGITUDINAL ANGLE - REAR	1
17	21-2-622-1	LONGITUDINAL ANGLE - REAR	1
18	21-2-630-1	FLOOR PANEL FRONT	1
19	21-2-632-2	FLOOR PANEL REAR	1
20	21-2-640-1	OUTSIDE PANEL - FRONT LH	1
21	21-2-640-2	OUTSIDE PANEL - FRONT RH	1
22	21-2-641-1	OUTSIDE PANEL - CENTRAL (SLOPING)	1
23	21-2-642-1	OUTSIDE PANEL - CENTRAL LH	1
24	21-2-642-2	OUTSIDE PANEL - CENTRAL RH	1
25	21-2-643-1	OUTSIDE PANEL - GEAR AREA	1
26	21-2-644-1	OUTSIDE PANEL - REAR LH	1
27	21-2-644-2	OUTSIDE PANEL - REAR RH	1
28	92-1-119-1	INSPECTION HATCH	1
29		SELF TAPPING SCREW	4
30	A-1784-6Z1	TINNERMANN	4
31	21-2-628-1	REINFORCING ANGLE - FORMER NO:1	1
32	21-5-112-1	ANCHORAGE PLATE FOR COIL SPRING	2

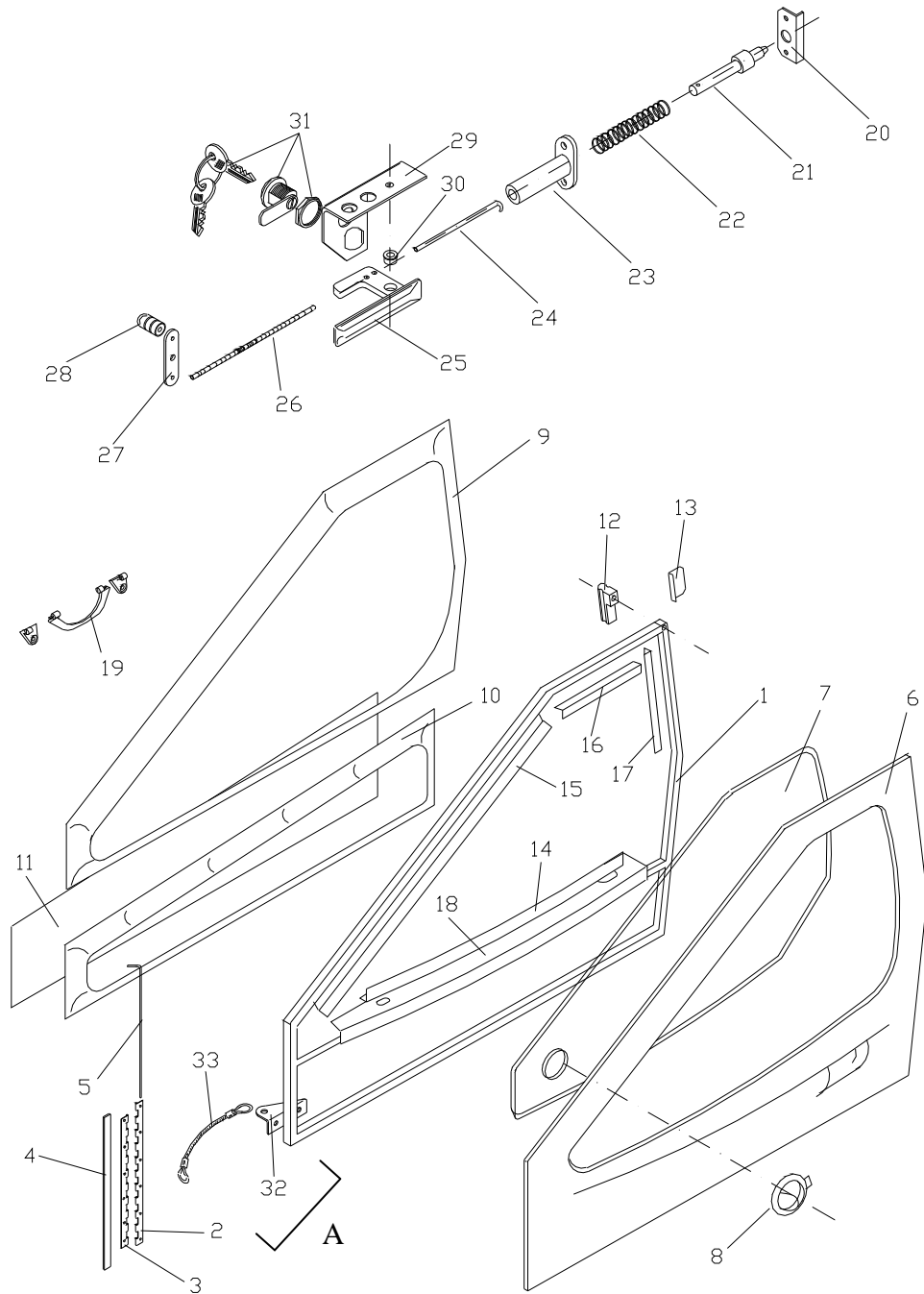


Fig. 2.6 DOORS

### DOORS

ITEM	P/N	DESCRIPTION	qty
	20-2-330-001	DOOR ASSY. LH SX	1
	20-2-330-002	DOOR ASSY. RH	1
<b>1</b>	20-2-340-001	DOOR FRAME LH	1
	20-2-340-002	DOOR FRAME RH	1
<b>2</b>	92-2-201-1	HINGE LEAF - DOOR	2
<b>3</b>	92-2-201-2	HINGE LEAF - FUSELAGE	2
<b>4</b>	92-2-113-3	HINGE LEAF SPACER/SHIM	2
<b>5</b>	92-2-201-3	HINGE PIN	2
<b>6</b>	92-2-301-1	OUTER DOOR PANEL LH	1
	92-2-301-2	OUTER DOOR PANEL RH	1
<b>7</b>	92-2-301-7/9	LEXAN DOOR WINDOW LH (-9 LH TINTED)	1
	92-2-301-8/10	LEXAN DOOR WINDOW RH (-10 RH TINTED)	1
<b>8</b>	92-2-203-1	AIR VENT	2
<b>9</b>	92-2-301-3	WINDOW SURROUND TRIM MOULDING. TOP LH	1
	92-2-301-4	WINDOW SURROUND TRIM MOULDING TOP RH	1
<b>10</b>	92-2-301-5	WINDOW SURROUND TRIM MOULDING LOWER LH	1
	92-2-301-6	WINDOW SURROUND TRIM MOULDING LOWER RH	1
<b>11</b>	92-2-301-11	DOOR POCKET PANEL IN FABRIC LH	1
	92-2-301-12	DOOR POCKET PANEL IN FABRIC RH	1
<b>12</b>	92-9-910-1	SECURITY DOOR LATCH - TEFLON	2
<b>13</b>	92-2-304-1	DOOR LATCH STRIKER PLATE	2
<b>14</b>	92-2-303-1	CURVED GLASS RETAINING ANGLE - LH	1
	92-2-303-2	CURVED GLASS RETAINING ANGLE - RH	1
<b>15</b>	92-2-303-3	GLASS RETAINING ANGLE FRONT	2
<b>16</b>	92-2-303-4	GLASS RETAINING ANGLE TOP	2
<b>17</b>	92-2-303-5	GLASS RETAINING ANGLE REAR	2
<b>18</b>	92-2-303-6	INTERNAL RIB SECTION -DOOR - LH	1
	92-2-303-7	INTERNAL RIB SECTION -DOOR - RH	1
<b>19</b>	92-2-302-3	DOOR HANDLE - INSIDE	2
<b>20</b>	92-2-304-1	STRIKER PLATE FOR DOOR BOLT	2
<b>21</b>	92-9-905-1	DOOR BOLT	2
<b>22</b>	92-9-911-1	DOOR BOLT SPRING	2
<b>23</b>	92-9-905-4	DOOR BOLT GUIDE TUBE	2
<b>24</b>	92-9-912-1	DOOR BOLT LINK ROD	2

*DOORS*

ITEM	P/N	DESCRIPTION	qty
<b>25</b>	92-2-302-8	EXTERNAL DOOR HANDLE WITH LOCK (OPT)	1
	92-2-302-3	EXTERNAL DOOR HANDLE	2
<b>26</b>	92-2-302-8	STEEL CABLE - OPENING LINK	2
<b>27</b>	92-2-302-4	LEVER	2
<b>28</b>	92-2-302-7	INTERNAL DOOR HANDLE KNOB	2
<b>29</b>	92-2-302-001	HANDLE ATTACHMENT LH	1
	92-2-302-002	HANDLE ATTACHMENT RH	1
<b>30</b>	92-3-302-6	BUSH	2
<b>31</b>		DOOR LOCK	1
<b>A</b>	92-2-305-001-2	ASSY DOOR RESTRAINT	
<b>32</b>	92-2-305-1	DOOR RESTRAINT LH ( JS ONLY)	1
	92-2-305-2	DOOR RESTRAINT RH ( JS ONLY)	1
<b>33</b>	92-2-305-3	DOOR RESTRAINT ANCHOR BRACKET (JS ONLY)	2

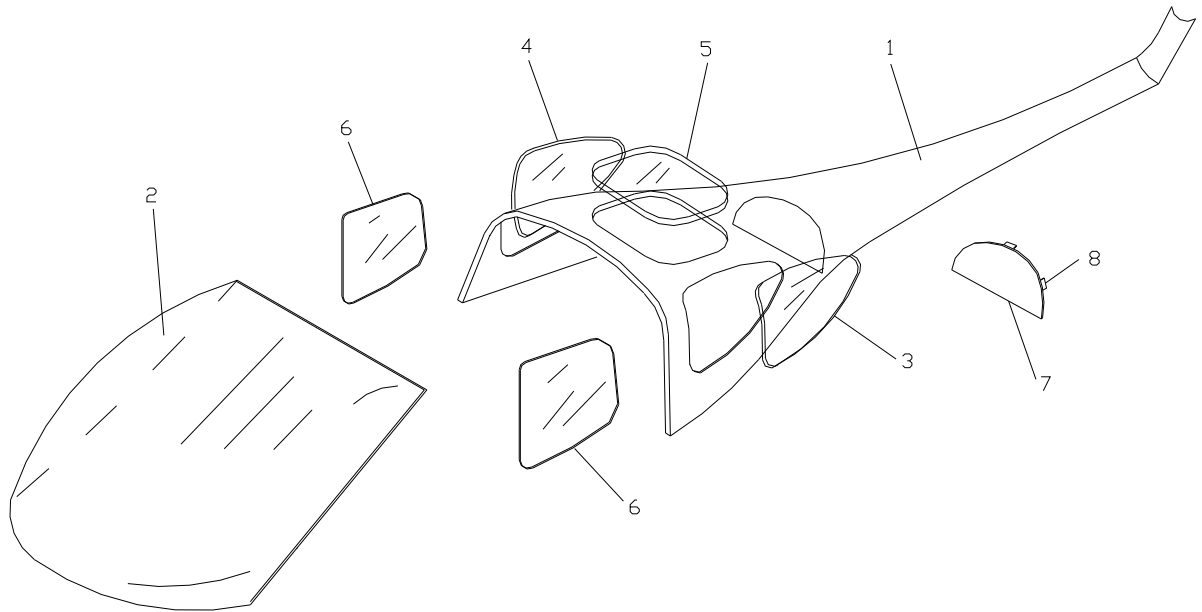


Fig. 2.7 WINDOWS

*WINDOWS*

ITEM	P/N	DESCRIPTION	qty
1	92-2-111-2	TAIL FAIRING	1
2	92-2-108-4	WINDSHIELD	1
3	92-2-108-5	SIDE WINDOWS -FAIRING - LH	1
4	92-2-108-6	SIDE WINDOWS -FAIRING - RH	1
5	92-2-108-1	TOP WINDOW	1
6	92-2-102-8	SIDE WINDOWS (MAIN)	2
7	92-2-131-1	PARCEL SHELF BULKHEAD	1
8	92-2-131-2	ANGLE - ATTACH BULKHEAD	3

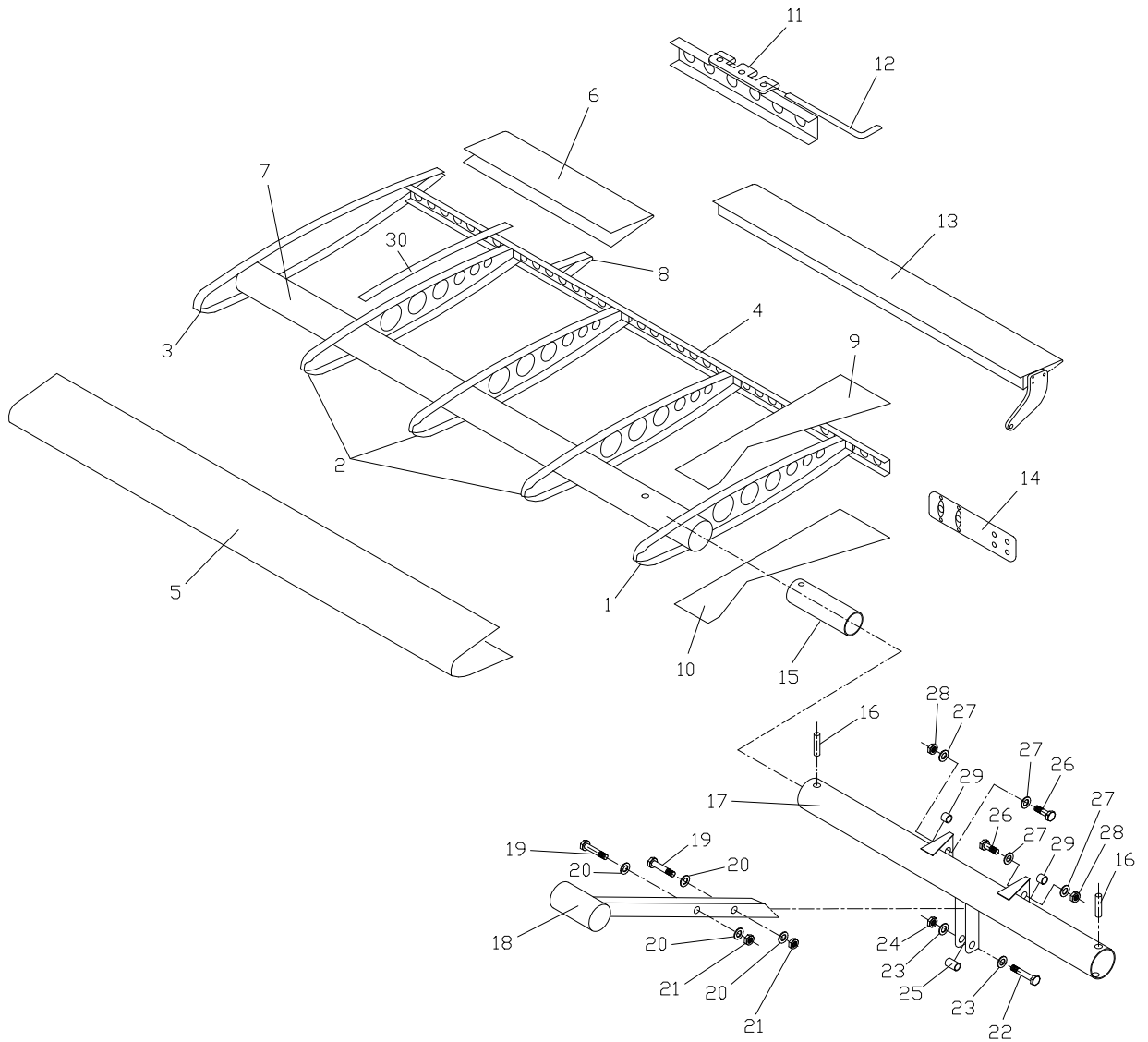


Fig. 3.1 STABILATOR

### STABILATOR

ITEM	P/N	DESCRIPTION	qty
	92-7-001-001	STABILATOR (TAILPLANE) ASSY LH	1
	92-7-001-002	STABILATOR (TAILPLANE) ASSY RH	1
<b>1</b>	92-7-101-1	ROOT END RIB	2
<b>2</b>	92-7-102-1	RIB	6
<b>3</b>	92-7-103-1	TIP MOULDING (OUTBOARD)	2
<b>4</b>	92-7-104-1	TRAILING EDGE LONGERON (SPAR)	2
<b>5</b>	92-7-105-1	LEADING EDGE	2
<b>6</b>	92-7-105-2	TRAILING EDGE	2
<b>7</b>	92-7-106-1	TORSION TUBE (MAIN SPAR)	2
<b>8</b>	92-7-107-1	SUB-RIB	2
<b>9</b>	92-7-108-2	SKIN PANEL - TOP	2
<b>10</b>	92-7-108-1	SKIN PANEL - LOWER	2
<b>11</b>	92-7-109-1	TRIM TAB HINGE	4
<b>12</b>	92-7-202-3	TRIM TAB HINGE PIN	4
<b>13</b>	92-7-002-001	TRIM TAB ASSY LH	1
	92-7-002-002	TRIM TAB ASSY RH	1
<b>14</b>	92-7-111-1	TIE PLATE BETWEEN LH & RH STABILATORS	2
<b>15</b>	92-7-110-1	TORQUE TUBE LINING SLEEVE TUBE	2
<b>16</b>	92-7-303-1	BUSHES	2
	92-7-003-000	TORQUE TUBE AND MASS BALANCE ASSY	1
<b>17</b>	92-7-310-000	TORQUE TUBE ASSY	1
<b>18</b>	92-7-300-000	MASS BALANCE LEVER ASSY	1
<b>19</b>		BOLT	2
<b>20</b>		WASHER	4
<b>21</b>		NUT	2
<b>22</b>		BOLT	2
<b>23</b>		WASHER	4
<b>24</b>		NUT	2
<b>25</b>		BUSH	1
<b>26</b>		BOLT	2
<b>27</b>		WASHER	4
<b>28</b>		NUT	2
<b>29</b>		BUSH	1
<b>30</b>	92-7-112-1	RIB REINFORCING STRIP	12



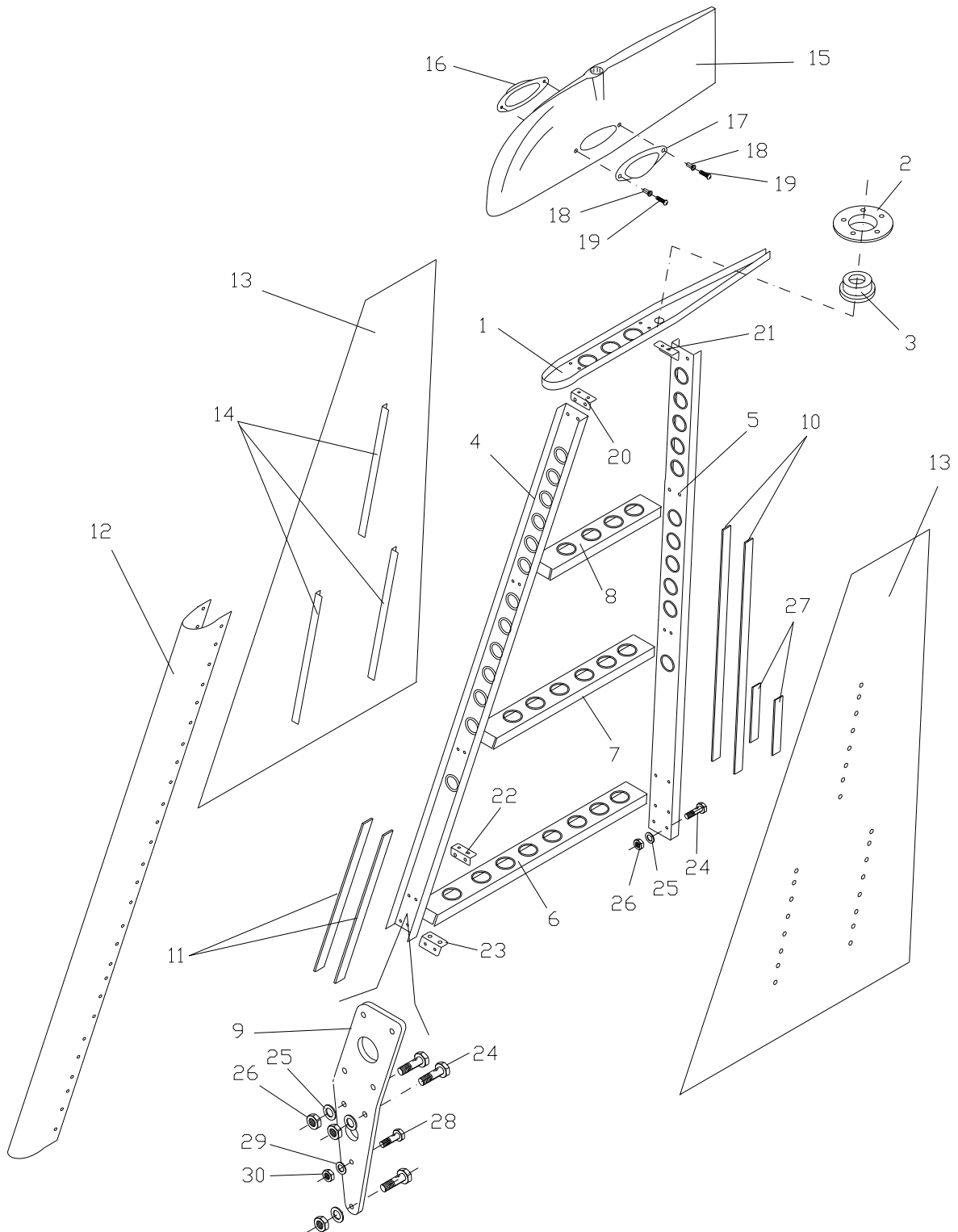


Fig. 3.2 FIN

*FIN*

ITEM	P/N	DESCRIPTION	qty
	21-6-500-000	FIN ASSY	1
1	92-6-511-1	TOP (END) RIB	1
2	92-6-512-1	RUDDER BEARING CUP	1
3	92-6-800-2	RUDDER BEARING	1
4	92-6-520-1	LEADING EDGE SPAR (VERTICAL)	1
5	92-6-520-2	TRAILING EDGE SPAR (VERTICAL)	1
6	92-6-580-1	RIB BOTTOM	1
7	92-6-580-2	RIB CENTRAL	1
8	92-6-580-3	RIB TOP (INTERNAL)	1
9	92-6-540-1	ATTACHMENT PLATE TO TAIL CONE	1
10	92-6-550-1	REINFORCING STRIP	2
11	92-6-550-2	REINFORCING STRIP	2
12	92-6-560-1	LEADING EDGE	1
13	92-6-570-1	SKIN PANEL- SIDE	2
14	92-6-530-4	SIDE SKIN PANEL STIFFENING ANGLES	6
15	92-6-700-1	FIN TIP MOULDING WITH ACCESS OPENING	1
16	21-6-701-1	HATCH MOULDING	1
17	21-6-701-1	REMOVABLE HATCH COVER	1
18	M4 FTS/C	'RIV-NUTS' (CAPTIVE NUTS)	2
19		MACHINE SCREWS	2
20	92-6-530-1	RIB ATTACHMENT BRACKET	1
21	92-6-530-2	RIB ATTACHMENT BRACKET	1
22	92-6-530-3	ATTACHMENT REINFORCING BRACKET	1
23	92-6-590-1	ATTACHMENT REINFORCING ANGLE	1
24	UNI 5739	BOLT T.E. M5 CR8.8 L=20 MM	9
25	UNI 6592	FLAT WASHER D=5	9
26	UNI 7473	SELF LOCKING NUT M5	9
27	21-6-510-1	STIFFENING STRIP -TRAILING EDGE SPAR	2
28		BOLT M5	1
29		WASHER D=5	1
30		NUT M5	1

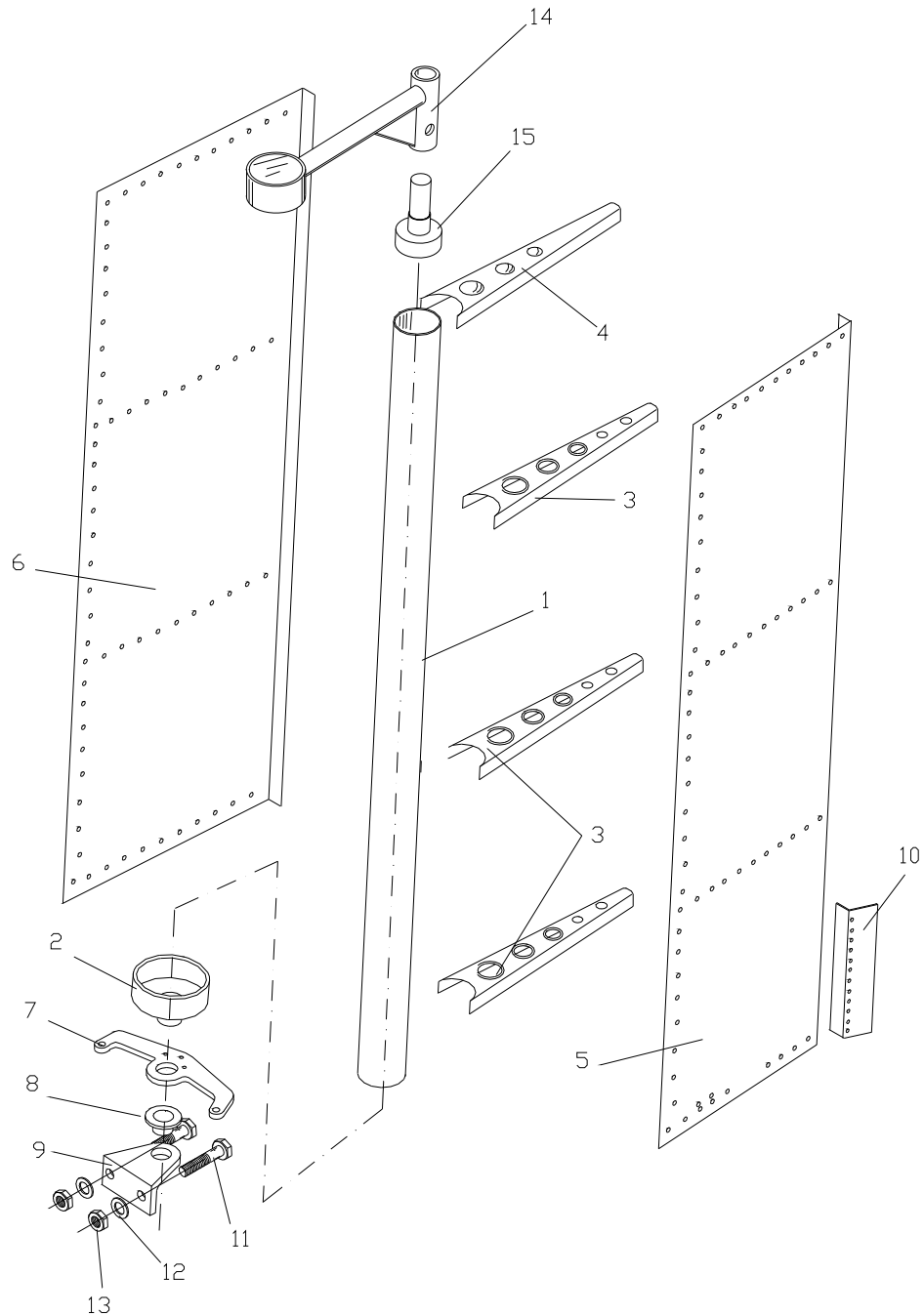


Fig. 3.3 RUDDER

### RUDDER

ITEM	P/N	DESCRIPTION	qty
	20-6-600-000	RUDDER ASSY	1
<b>1</b>	92-6-610-1	TORSION TUBE	1
<b>2</b>	92-6-620-1	LOWER BEARING TORSION TUBE	1
<b>3</b>	92-6-630-1	RIB	3
<b>4</b>	92-6-650-1	RIB WITHOUT HOLES	1
<b>5</b>	92-6-640-1	SIDE SKIN PANEL LH	1
<b>6</b>	92-6-640-2	SIDE SKIN PANEL RH	1
<b>7</b>	92-6-801-1	RUDDER HORN PLATE (FOR CABLE ATTACH)	1
<b>8</b>	92-6-800-2	BEARING CUP	1
<b>9</b>	92-6-800-1	LOWER BEARING SUPPORT BRACKET	1
<b>10</b>	92-6-651-1	TRIM TAB - RUDDER	1
<b>11</b>	UNI5737-D6L30	BOLT T.E. M6 CR8.8 L=30 MM	2
<b>12</b>	UNI6592-D6	FLAT WASHER D=6	2
<b>13</b>	UNI7473-D6	SELF LOCKING NUT M6	2
<b>14</b>	20-6-900-000	MASS BALANCE WEIGHT	1
<b>15</b>	92-6-620-2	TORSION TUBE BEARING SPIGOT UPPER	1

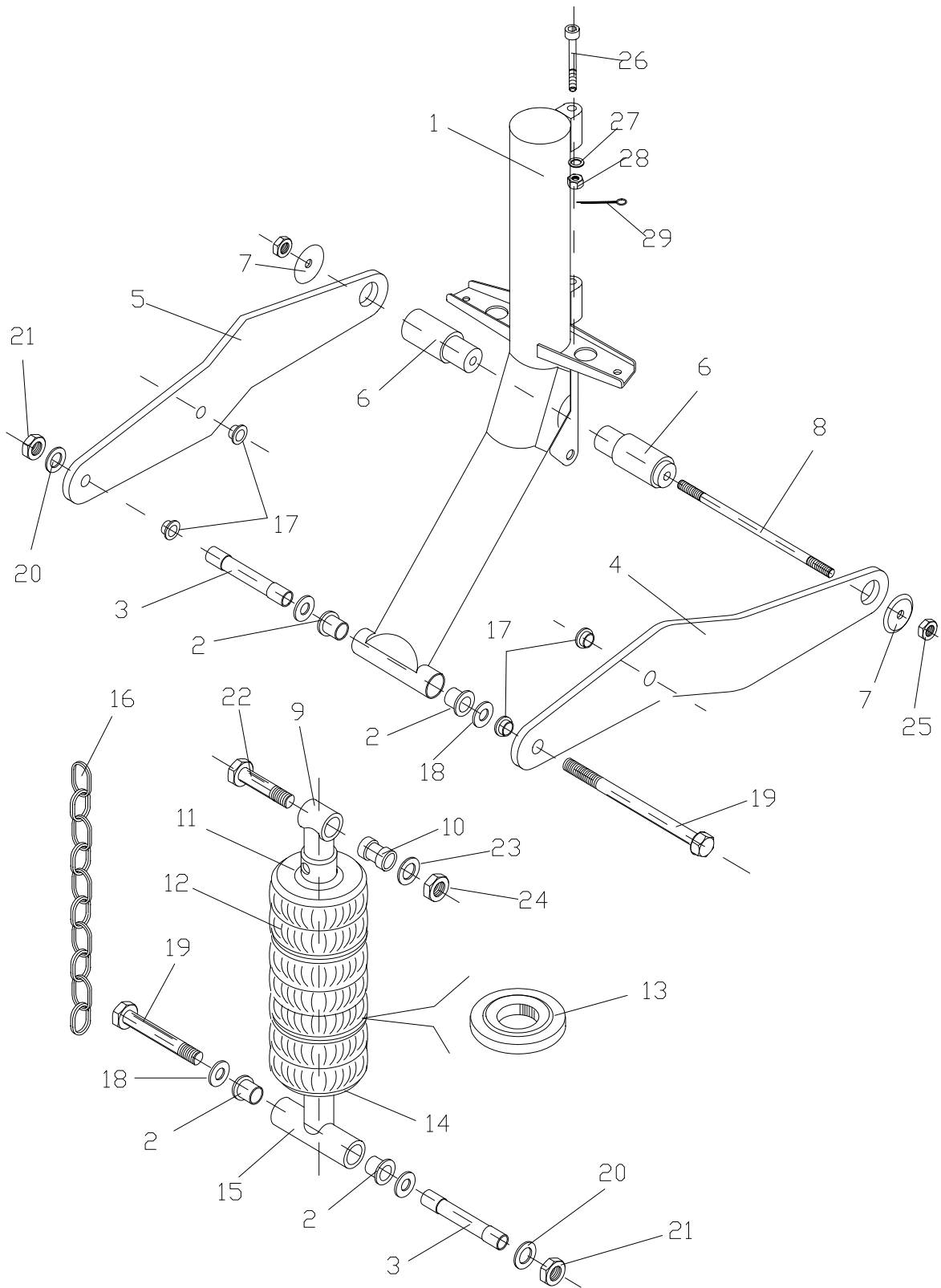


Fig. 4.1 Nose Gear

### NOSE GEAR

ITEM	P/N	DESCRIPTION	qty
	92-8-001-000	NOSE GEAR ASSY	1
	92-8-200-000	SHOCK ABSORBER ASSY	1
<b>1</b>	92-8-100-000	NOSE LEG	1
<b>2</b>	92-8-240-3	BUSH	4
<b>3</b>	92-8-240-2	SPACER	2
<b>4</b>	92-8-120-1	FORK PLATE LH	1
<b>5</b>	92-8-120-2	FORK PLATE RH	1
<b>6</b>	92-8-130-1	HALF SPACER (SHOULDERED)	2
<b>7</b>	92-8-130-2	PENNY WASHER (CAP)	2
<b>8</b>	92-8-240-1	WHEEL AXLE	1
<b>9</b>	92-8-220-000	SHOCK ABSORBER ARM (UPPER)	1
<b>10</b>	92-8-240-4	BUSHING	1
<b>11</b>	92-8-210-1	COLLAR (UPPER)	1
<b>12</b>	92-8-200-1	DOUGHNUT - RUBBER	7
<b>13</b>	92-8-210-3	SPACER PLATE (ALUMINIUM)	2
<b>14</b>	92-8-210-2	COLLAR (LOWER)	1
<b>15</b>	92-8-230-000	SHOCK ABSORBER ARM - LOWER	1
<b>16</b>	92-8-242-1	SHOCK ABSORBER TRAVEL LIMIT CHAIN	1
<b>17</b>	92-8-240-5	BUSH	4
<b>18</b>	92-8-130-3	FLAT WASHER	4
<b>19</b>	UNI5737-D6L110	BOLT T.E. M8 CR8.8 L=110 MM	2
<b>20</b>	UNI6592-D8	FLAT WASHER D=8	2
<b>21</b>	UNI7473-D6	SELF LOCKING NUT M6	2
<b>22</b>	UNI5737-D8L45	BOLT T.E. M8 CR8.8 L=45 MM	1
<b>23</b>	UNI6592-D8	FLAT WASHER D=8	1
<b>24</b>	UNI7473-D8	SELF LOCKING NUT M8	1
<b>25</b>	UNI7473-D6	SELF LOCKING NUT M6	2
<b>26</b>	UNI5931-D8L72	HEX SOCKET BOLT M8 L=72 MM	2
<b>27</b>	UNI6592-D8	FLAT WASHER D=8	2
<b>28</b>	UNI5593-D8	CASTELLATED NUT M8	2
<b>29</b>	UNI1336	SPLIT PIN	2

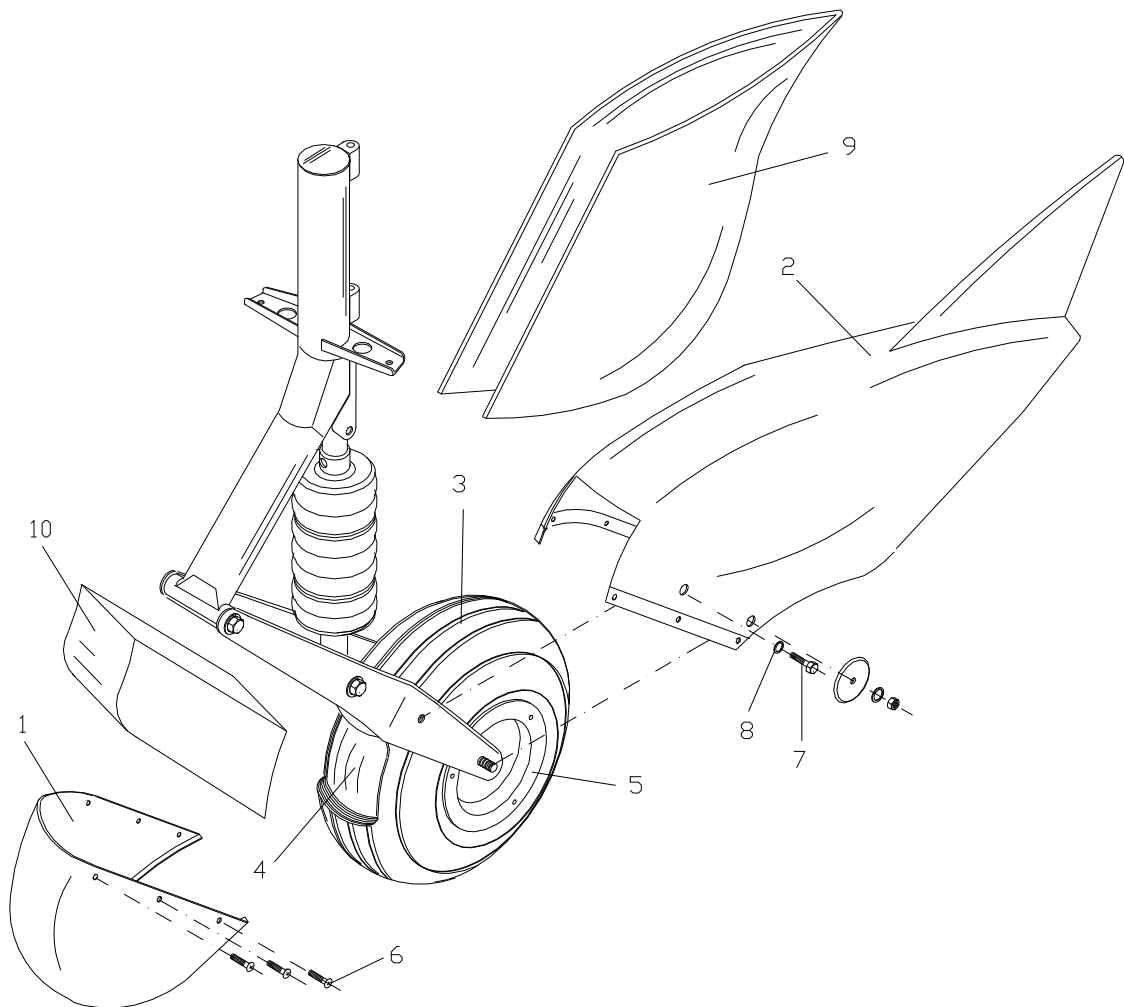


Fig. 4.2 NOSE GEAR PANTS (SPATS)

### NOSE GEAR PANTS (SPATS)

ITEM	P/N	DESCRIPTION	qty
1	92-8-420-2	PANTS FOR SINGLE WHEEL - FRONT SECTION (OPT.)	1
2	21-8-110-1	PANTS FOR SINGLE WHEEL - REAR SECTION. (JS) (OPT.ON ECHO SUPER)	1
3	SAVA	TYRE 4.00-6	1
4	SAVA	INNER TUBE	1
5	92-8-242-1	WHEEL RIM	1
6	UNI7688-D4L12	BOLT T.E. M4 CR8.8 L=12 MM	6
7	UNI5739-D6L12	BOLT T.E M6 CR8.8 L=12 MM	2
8	UNI1751-D6	ELASTIC WASHER D=6	2
9	92-8-420-3	LEG FAIRING - REAR SECTION . (OPT.)	1
10	92-8-420-4	LEG FAIRING- FRONT SECTION. (OPT.)	1



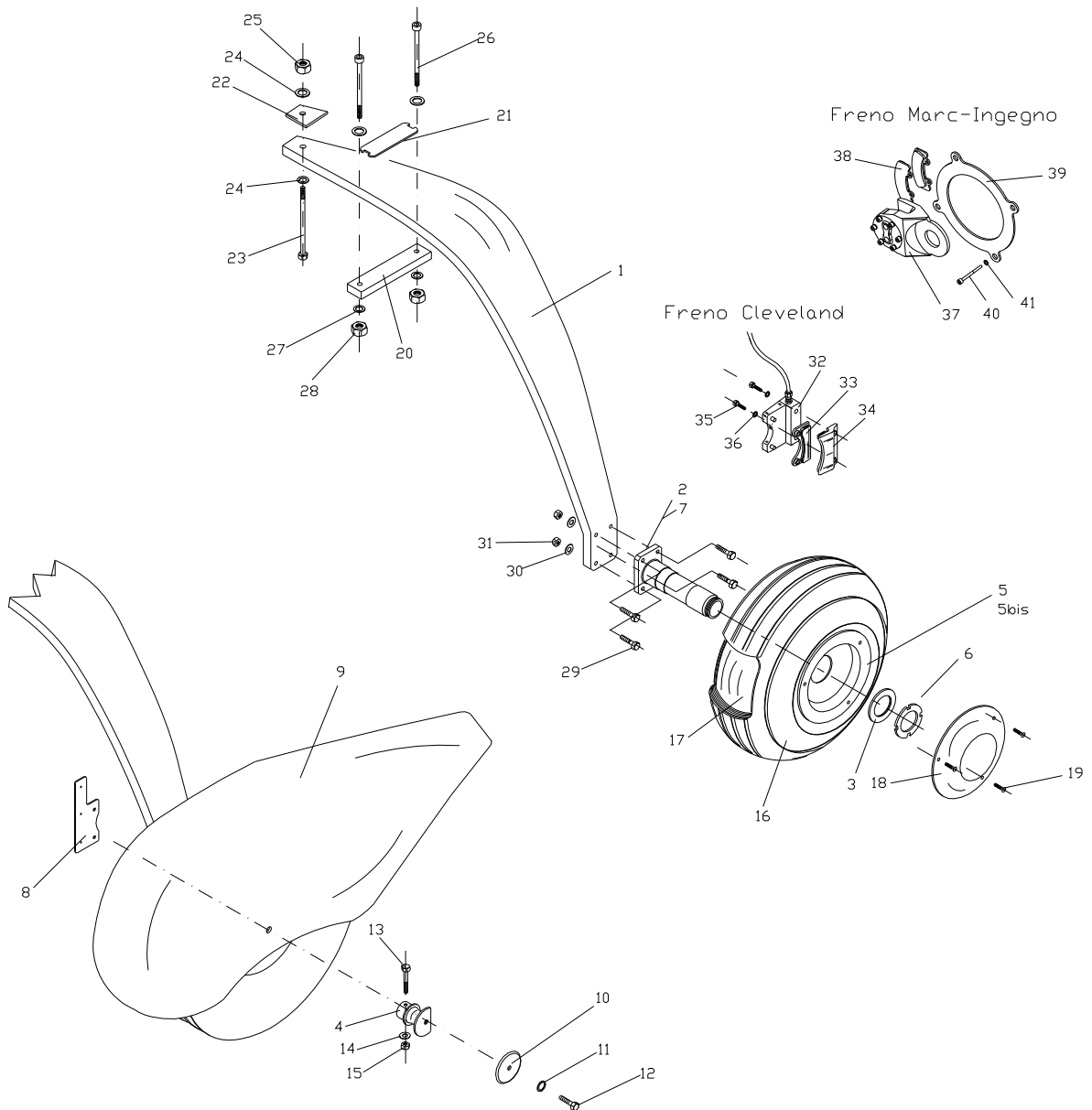


Fig. 4.3 MAIN GEAR

### MAIN GEAR

ITEM	P/N	DESCRIPTION	qty
	<b>21-8-200-001/2</b>	MAIN GEAR ASSY (JS)	2
	<b>21-8-200-003/4</b>	MAIN GEAR ASSY (ECHOSUPER)	2
<b>1</b>	92-8-300-1	LEAF SPRING	2
<b>2</b>	92-8-800-1	STUB AXLE (ECHOSUPER)	2
<b>3</b>	21-8-212-2	WHEEL RETAINER CAP WASHER (JS)	2
<b>4</b>	92-12-301-2	PANTS MOUNT SPIGOT (OPT.)	2
<b>5</b>	-	RIM CLEVELAND (JS)	2
	-	RIM MARC-INGEGNO (ECHOSUPER)	2
<b>6</b>	-	LOCKING RING M24	2
<b>7</b>	21-8-212-1	STUB AXLE (JS)	2
<b>8</b>	92-12-301-4	PANTS MOUNT PLATE	2
<b>9</b>	92-8-410-1	PANTS - WHEEL LH (OPT.)	1
	92-8-410-2	PANTS - WHEEL RH (OPT.)	1
<b>10</b>	92-12-301-1	PENNY WASHER - PANTS (OPT.)	2
<b>11</b>	UNI1751-D6	ELASTIC WASHER D=6	2
<b>12</b>	UNI5739-D6L16	BOLT T.E. M6 CR8.8 L=16 MM	2
<b>13</b>	UNI5737-D4L35	BOLT T.E. M4 CR8.8 L=35 MM	2
<b>14</b>	UNI6592-D4	FLAT WASHER D=4	2
<b>15</b>	UNI7473-D4	SELF LOCKING NUT M4	2
<b>16</b>	AIR-TRAC	TYRE 5.00-5	2
<b>17</b>	AIR-TRAC	INNER TUBE	2
<b>18</b>	157-00800	HUB CAP	2
<b>19</b>	102-00600	BOLT T.T. M3.16 L=6 MM	6
<b>20</b>	21-8-210-1	LEAF SPRING CLAMP PLATE	2
<b>21</b>	92-8-206-3	LEATHER SHIM	2
<b>22</b>	92-8-205-1	SPACER SHIM (ALI)	2
<b>23</b>	UNI5737-D8L60	HEX SOCKET HEAD BOLT M8 CR8.8 L=60 MM	6
<b>24</b>	UNI6592-D8	FLAT WASHER D=8	12
<b>25</b>	UNI7473-D8	SELF LOCKING NUT M8	6
<b>26</b>	UNI5737-D6L39	BOLT T.E. M6.35 CR8.8 L=39 MM	8
<b>27</b>	UNI6592-D6	FLAT WASHER D=6	8
<b>28</b>	UNI7473-D6	SELF LOCKING NUT M6.35	8
<b>29</b>		BOLT T.E.	4
<b>30</b>		WASHER	4
<b>31</b>		NUT	4

### MAIN GEAR

ITEM	P/N	DESCRIPTION	qty
		<b>CALLIPER - CLEVELAND BRAKES</b>	2
<b>32</b>	KIT 199-102	DISC BRAKE CALLIPER CYLINDER	2
<b>33</b>	"	BRAKE SHOE	2
<b>34</b>	"	CALLIPER OUTER PLATE	2
<b>35</b>	"	BOLT T.E	4
<b>36</b>	KIT 199-102	FLAT WASHER	4
		<b>CALLIPER - MARC.INGEGNO BRAKES</b>	2
<b>37</b>	010203200	BRAKE CALLIPER CYLINDER	2
<b>38</b>	-	BRAKE SHOE	4
<b>39</b>	010102104	DISC	2
<b>40</b>	-	BOLT	8
<b>41</b>	-	NUT	8

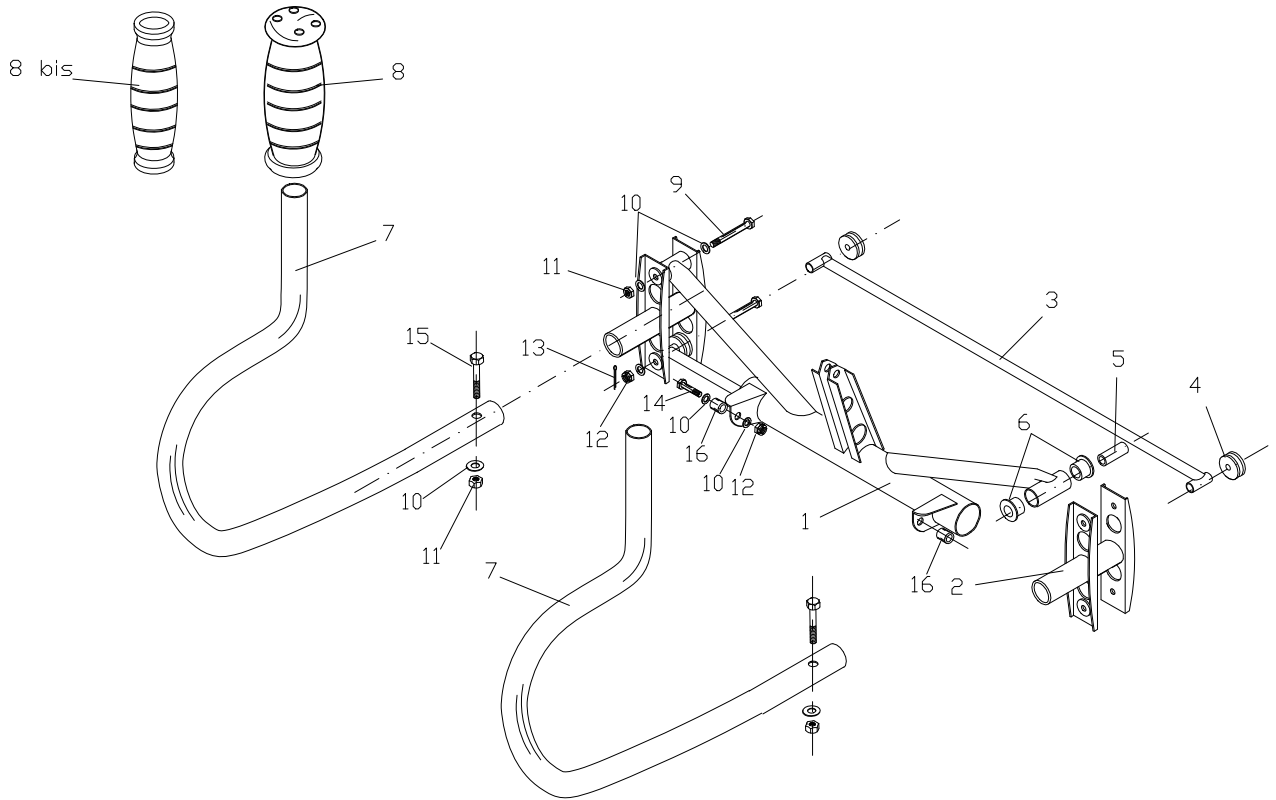


Fig. 5.1 CONTROL STICKS

### CONTROL STICKS - AILERON

ITEM	P/N	DESCRIPTION	QTY
1	21-4-110-000	AILERON CONTROL ASSY	1
2	92-4-200-000	STICKS ASSY	2
3	96-5-502-000	LINK TUBE	1
4	92-4-203-2	CABLE TERMINAL	2
5	92-4-203-3	BUSH	2
6	92-4-203-4	BRONZE BUSH CUPS	4
7	21-4-300-000	STICK	2
8		STICK GRIP IN FOAM RUBBER WITH CONTROL SWITCHES (OPT.)	2
8 BIS		STICK GRIP IN FOAM RUBBER	2
9	UNI 5737	BOLT T.E. M6 CR8.8 L=50 MM	4
10	UNI 6592	FLAT WASHER D=6	12
11	UNI 7473	SELF LOCKING NUT M6	2
12	UNI 7473	NUT M6	2
13		SPLIT PIN (JS)	
14	UNI 5737	BOLT T.E. M6 CR8.8 L=25 MM	2
15	UNI 5737	BOLT T.E. M6 CR8.8 L=45 MM	2
16	92-2-840-9	BRONZE BUSHING	2

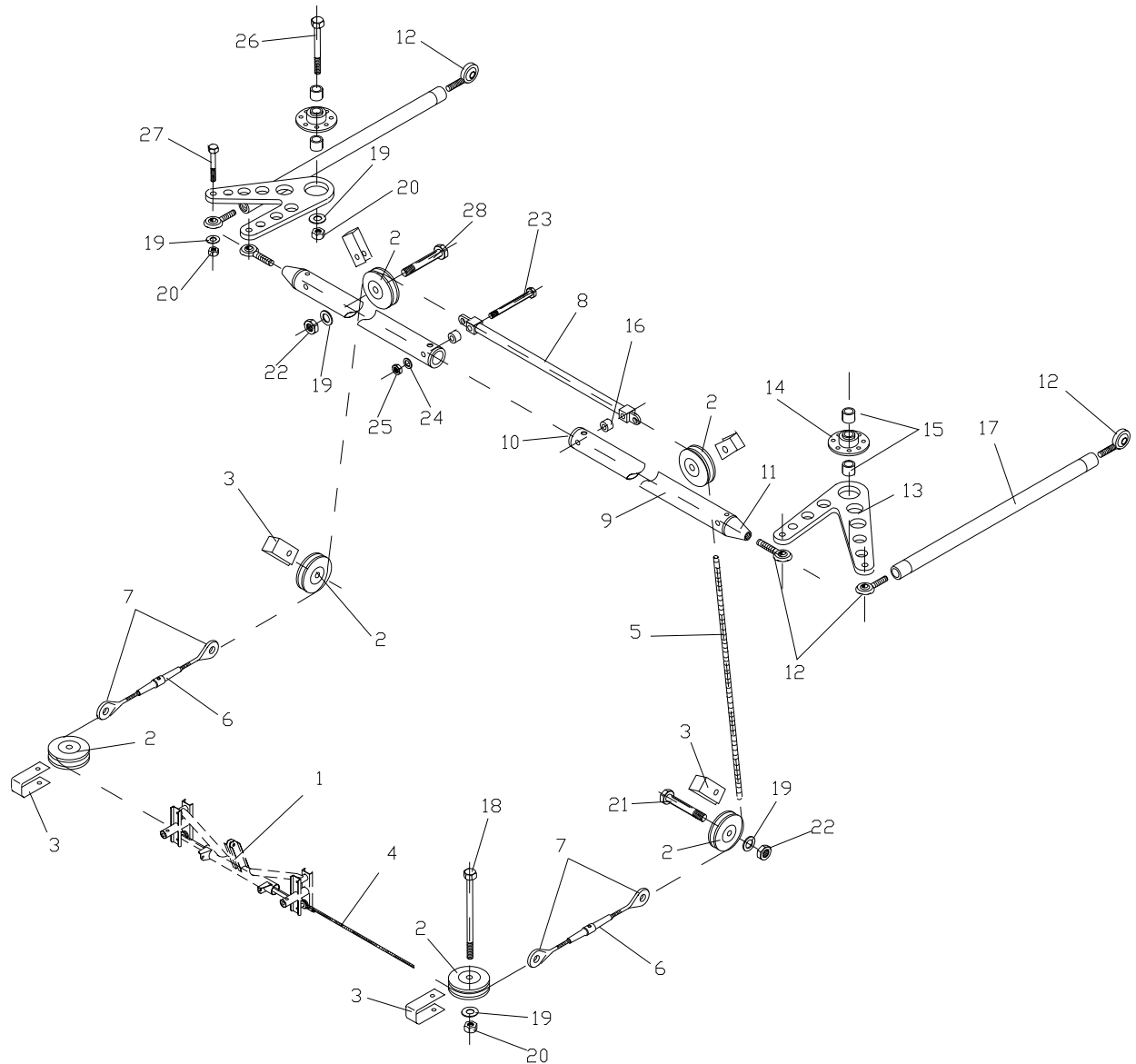


Fig. 5.2 AILERON CONTROL CIRCUIT

### AILERON CONTROL CIRCUIT

ITEM	P/N	DESCRIPTION	qty
1	21-4-110-000	STICK ASSY (SEE FIG 5.1)	1
2	MS 24566-3B	CABLE PULLEY	6
3	92-9-917-1	CABLE KEEPER	6
4	92-5-903-2	CONTROL CABLE CARBON STEEL DIA. 5/32"	2
5	92-5-903-3	CONTROL CABLE CARBON STEEL DIA 5/32"	2
6	MS 21251	TURNBUCKLE	2
7	MS 21255	TURNBUCKLE CABLE EYE	2
8	92-5-005-000	ACTUATOR ROD - CABIN	1
9	92-5-400-2	PUSH-PULL ROD - WING	2
10	92-5-400-1	ROD END JOINT - CABIN END	2
11	92-5-400-3	ROD END BOSS - WING END	2
12	SAKA C6M	ROD END BEARING JOINT (ROSE JOINT)	6
13	92-1-112-1	BELLCRANK	2
14	92-1-112-2	BEARING - SPHERICAL BC4W10	2
15	92-1-112-3	SPACER BUSH	4
16	92-5-903-1	ROD JOINT SPACER BUSH	2
17	92-5-901-1	PUSH-PULL ROD - AILERON	2
18	UNI 5737	BOLT T.E. M6 CR8.8 L=65 MM	2
19	UNI 6592	FLAT WASHER D=6	2
20	UNI 7473	SELF LOCKING NUT M6	2
21	UNI 5737	BOLT T.E. M6.5 CR8.8 L=50 MM	2
22	UNI 7474	SELF LOCKING NUT (SHALLOW) M6	2
23	UNI 5737	BOLT T.E. M5 CR8.8 L=55 MM	2
24	UNI 6592	FLAT WASHER D=5	2
25	UNI 7473	SELF LOCKING NUT M5	2
26	UNI 5737	BOLT T.E. M6 CR8.8 L=30 MM	2
27	UNI 5737	BOLT T.E. M6 CR8.8 L=25 MM	4
28	UNI 5737	BOLT T.E. M6 CR8.8 L=30 MM	2

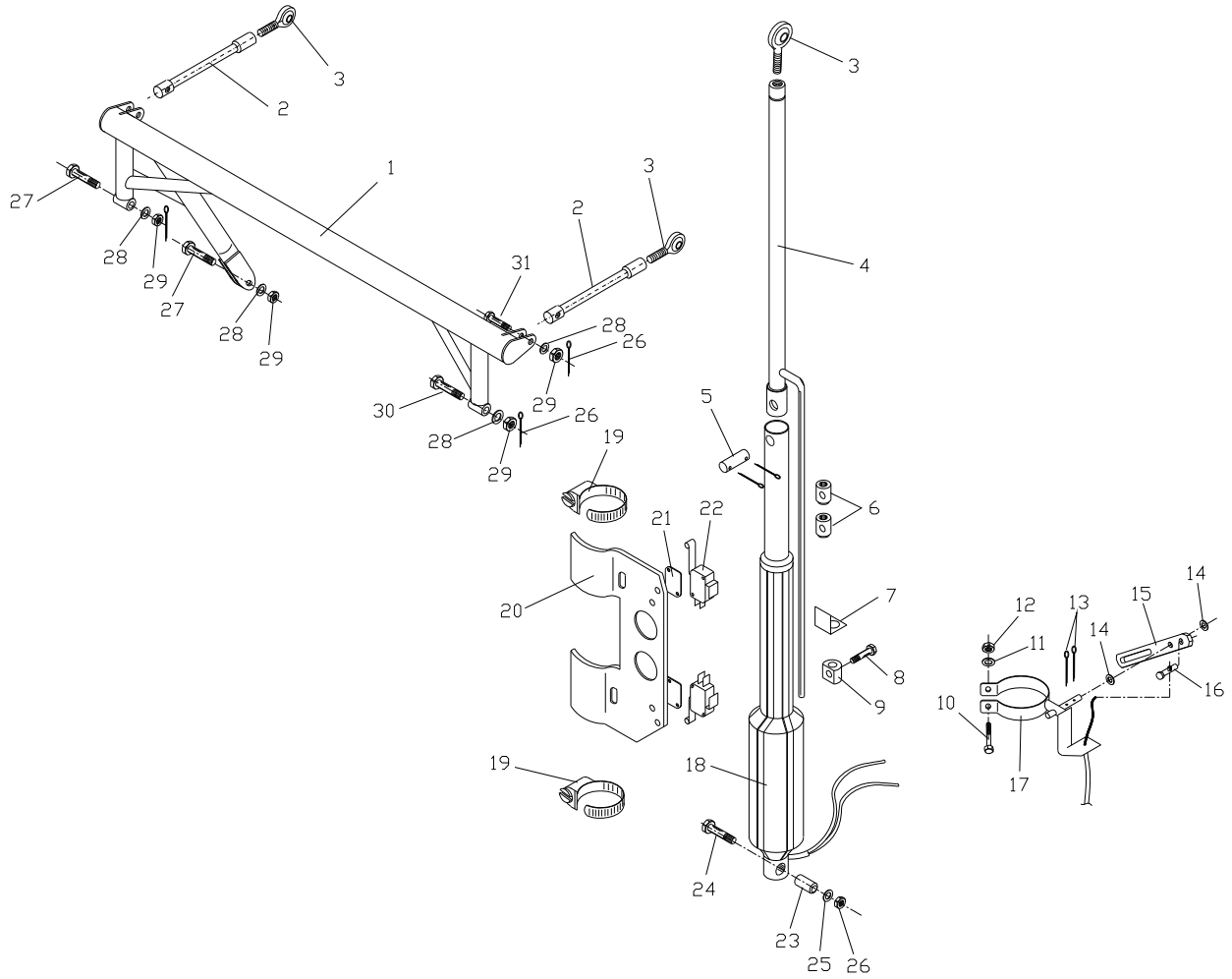


Fig. 5.3 FLAP CONTROL



### FLAP CONTROL

ITEM	P/N	DESCRIPTION	qty
1	20-5-150-000	TORQUE TUBE ASSY FLAP	1
2	20-5-902-1	PUSH-PULL ROD - FLAP	2
3	SAKA C6M	ROD END JOINT (ROSE JOINT)	1
4	21-9-300-000	FLAP ACTUATOR RAM	1
5	92-9-610-5	JOINT LOCKING PIN	1
6	96-9-202-3	TRAVEL END STOPS (SLUG)	2
7	96-9-201-3	ROD GUIDE BRACKET	1
18	33X150/C/12A	ELECTRIC ACTUATOR "SKF"	1
23	92-9-610-5	ATTACHMENT BUSH FOR ELECTRIC ACTUATOR	1
10	UNI5737-D6L40	BOLT T.E. M6 CR8.8 L=40 MM	1
11	UNI6592-D6	FLAT WASHER D=6	1
12	UNI7473-D6	SELF LOCKING NUT M6	1
13	UNI5737-D6L30	BOLT T.E. M6 CR8.8 L=30 MM	2
14	UNI6592-D6	WASHER D=6	4
15	20-9-622-1	FLAP INDICATOR LEVER	1
	UNI7473-D6	SELF LOCKING NUT M6	4
16	UNI5737-D6L35	BOLT T.E. M6 CR8.8 L=35 MM	1
	UNI5737-D6L20	BOLT T.E. M6 CR8.8 L=20 MM	1
20	96-9-201-1	SUPPORT PLATE	1
21	96-9-201-2	SPACER	2
22		MICROSWITCH	2
	20-9-620-000	FLAP INDICATOR ASSY	1
17	20-9-626-000	SUPPORT ASSY	1
		BOLT FOR FACIA	1
29		NUT	1
26		SPLIT PIN	
28		WASHER	
30		BOLT	

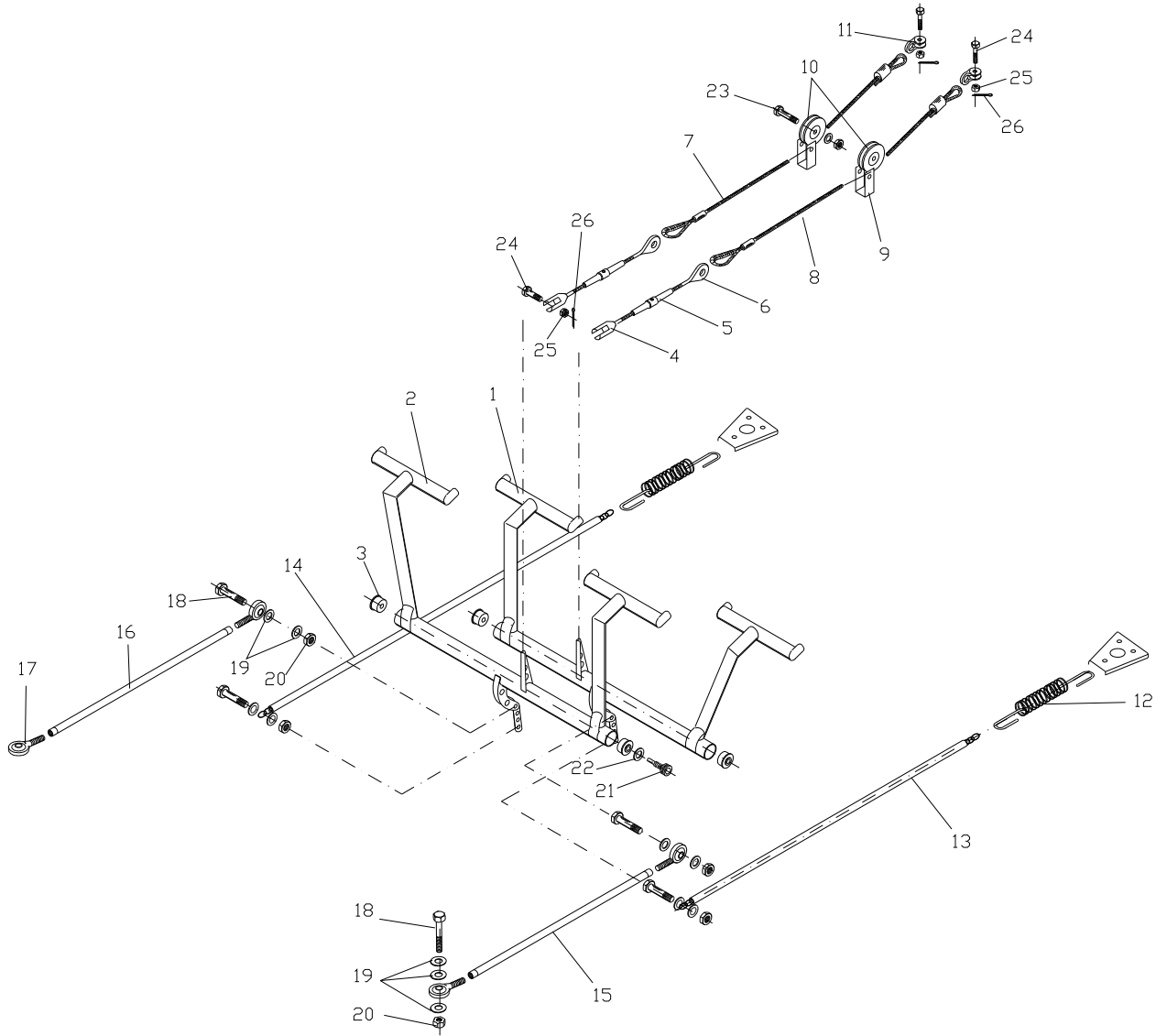


Fig. 5.4 RUDDER CONTROLS

### RUDDER CONTROLS

ITEM	P/N	DESCRIPTION	qty
1	21-5-120-001	PEDAL ASSY LH	1
2	21-5-120-002	PEDAL ASSY RH	1
3	92-5-310-4	BUSH	4
4	MS 21252	TURNBUCKLE FORK END	2
5	MS 21251	TURNBUCKLE	2
6	MS 21255	TURNBUCKLE EYE END	2
7	92-5-904-001	CONTROL CABLE ASSY LH	1
8	92-5-904-002	CONTROL CABLE ASSY RH	1
9	92-9-917-1	CABLE KEEPER	2
10	AN 210-3A	PULLEY	2
11	AN 115-21	SHACKLE TO ATTACH CABLE TO RUDDER HORN	2
12	92-9-908-1	HELICAL SPRING	2
13	21-5-110-1	SPRING ATTACHMENT CHAIN LH	1
14	21-5-110-2	SPRING ATTACHMENT CHAIN RH	1
15	21-5-114-002	TRACK ROD LH TO NOSE GEAR	1
16	21-5-114-001	TRACK ROD RH TO NOSE GEAR	1
17	SAKA C6M	ROD END JOINT ( ROSE JOINT)	4
18	UNI5737-D6L40	BOLT T.E. M6 CR8.8 L=40 MM	4
19	UNI6592-D6	FLAT WASHER D=6	4
20	UNI7473-D6	SELF LOCKING NUT M6	4
21	92-5-310-7	SPIGOT BOLT FOR ATTACHING PEDAL CRANK	4
22	UNI6592-D8	FLAT WASHER D=8	4
23	UNI5737-D6L40	BOLT T.E. M6 CR8.8 L=40 MM	2
24	UNI5737-D4L22	BOLT T.E. M4.75 L=22 MM	4
25		NUT	4
26		SPLIT PIN	4

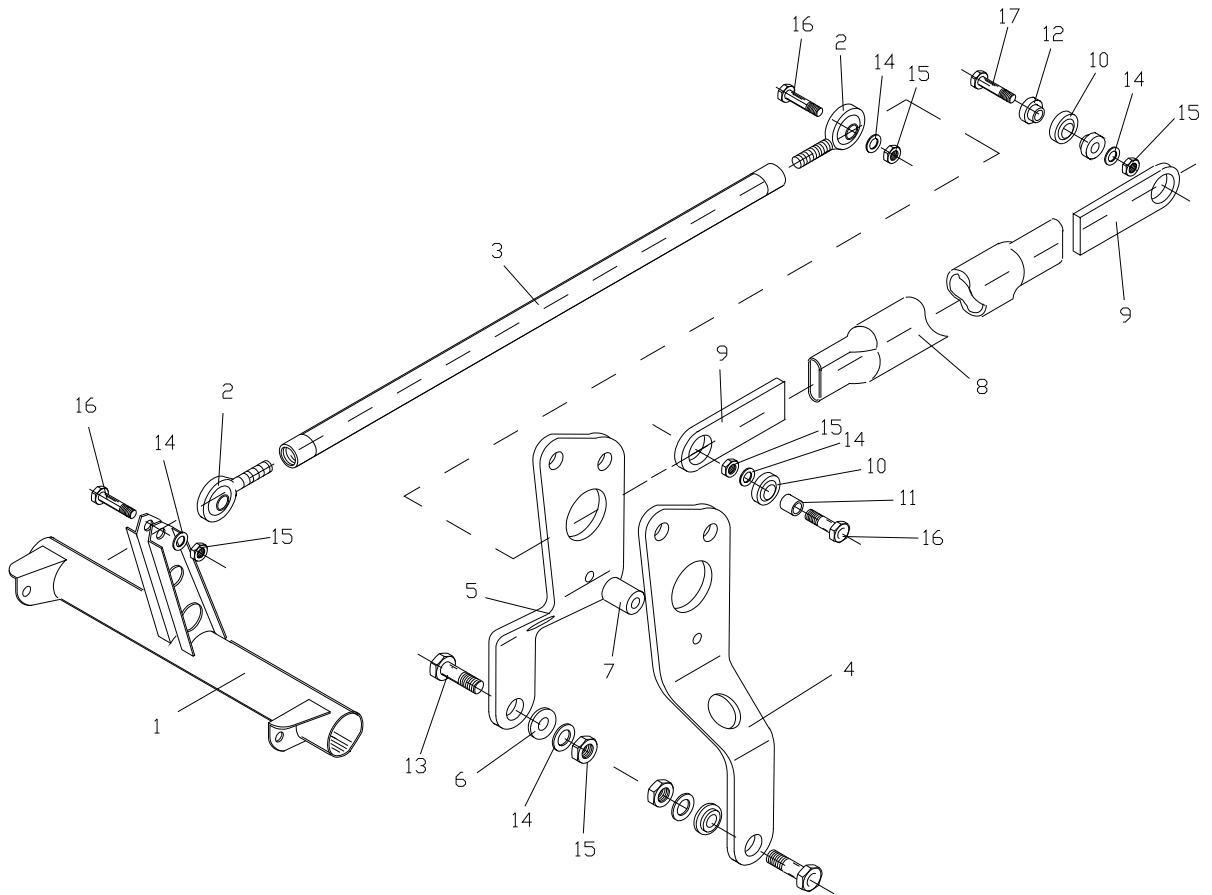


Fig. 5.5 STABILATOR CONTROL

### STABILATOR CONTROL

ITEM	P/N	DESCRIPTION	qty
<b>1</b>	21-4-110-000	STICK ASSY (SEE FIG 5.1)	1
<b>2</b>	SAKA C6M	ROD END JOINT (ROSE JOINT)	2
<b>3</b>	92-5-008-000	PUSH-PULL TRANSMISSION ROD - FRONT	1
<b>4</b>	92-5-600-1	CRANK PLATE LH	1
<b>5</b>	92-5-600-4	CRANK PLATE RH	1
<b>6</b>	92-5-600-2	BRASS BUSH	2
<b>7</b>	92-5-600-3	SPACER BUSH	1
	92-5-090-000	TRANSMISSION PUSH-PULL ASSY - REAR	1
<b>8</b>	92-5-090-1	PUSH-PULL TUBE - REAR	1
<b>9</b>	92-5-091-000	PUSH-PULL TUBE TRMINAL FITTING WITH BEARING	2
<b>10</b>	92-5-091-2	BEARING CUP - GE 10E -	2
<b>11</b>	92-5-092-2	SPACER BUSH	1
<b>12</b>	92-5-092-1	SPACER BUSH WITH SHOULDER	2
<b>13</b>	UNI5737-D6L20	BOLT T.E. M6 CR8.8 L=20 MM	2
<b>14</b>	UNI6592-D6	FLAT WASHER D=6	5
<b>15</b>	UNI7473-D6	SELF LOCKING NUT M6	5
<b>16</b>	UNI5737-D6L25	BOLT T.E. M6 CR8.8 L=25 MM	3
<b>17</b>	UNI5737-D6L40	BOLT T.E. M6 CR8.8 L=40 MM	1

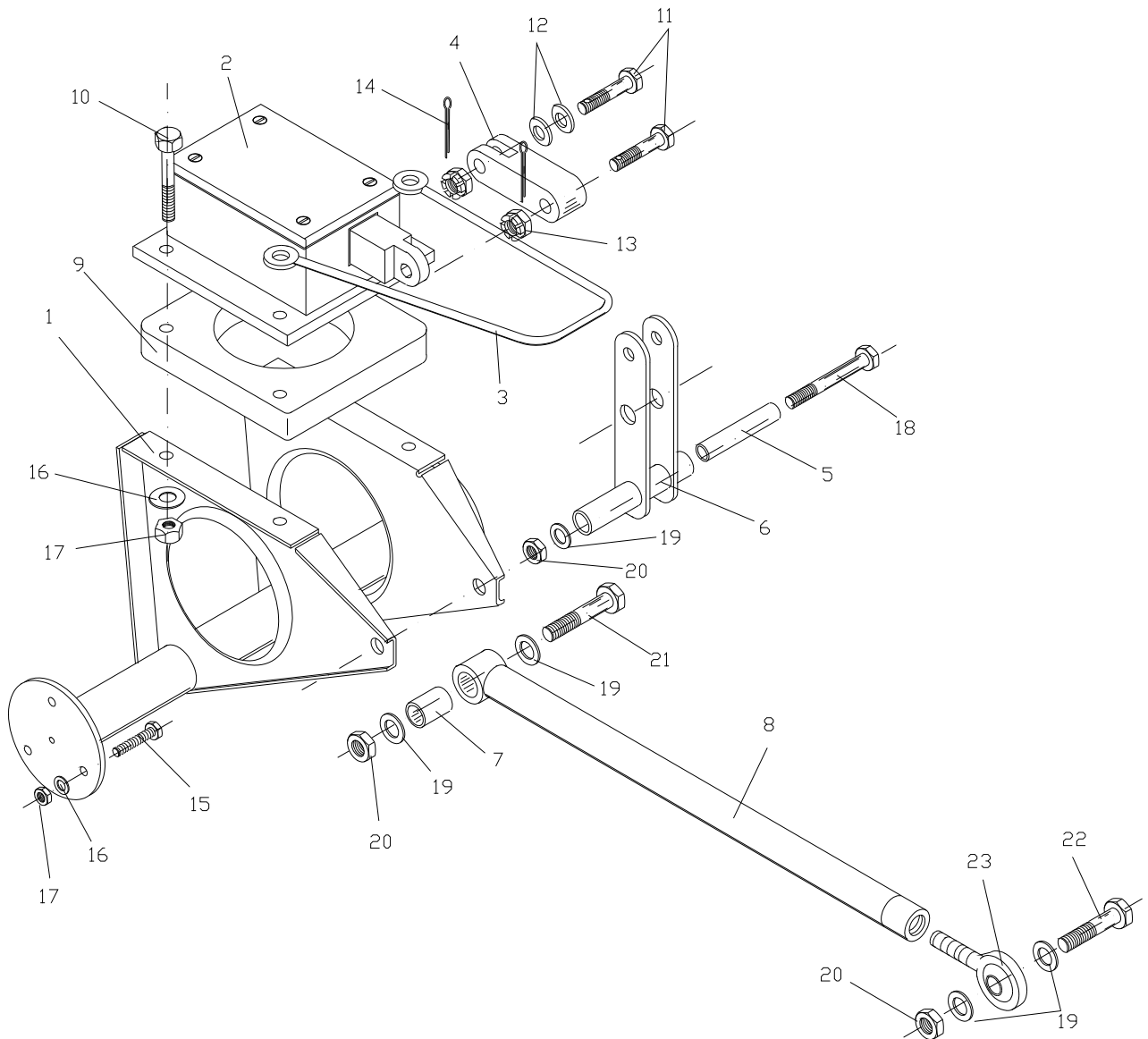


Fig. 5.6 TRIM CONTROL

*TRIM CONTROL*

ITEM	P/N	DESCRIPTION	qty
1	92-9-310-000	TRIM ELECTRIC SERVO SUPPORT BRACKET	1
2	MAC 6A	ELECTRIC SERVO	1
3	92-9-304-1	TRAVEL RESTRAINT BAR	1
4	92-9-302-2	ROCKER ARM	1
5	92-9-302-1	BEARING BUSH	1
6	92-9-320-000	CONTROL CRANK	1
7	92-9-330-3	SPACER BUSH	1
8	92-9-330-001	PUSH-PULL ROD	1
9	92-9-331-1	SERVO MOUNT SPACER PLATE	1
10	UNI5737-D4L25	BOLT T.E. M4 CR8.8 L=25 MM	2
11		BOLT T.E. M4.75 L=22 MM	2
12	UNI6592	FLAT WASHER	2
13	UNI5593	CASTELLATED NUT	2
14	UNI1336	SPLIT PIN	2
15	UNI5737-D4L20	BOLT T.E. M4 CR8.8 L=20 MM	4
16	UNI6592-D4	FLAT WASHER D=4	10
17	UNI7473-D4	SELF LOCKING NUT M4	10
18	UNI5737-D6L60	BOLT T.E. M6 CR8.8 L=60 MM	1
19	UNI6592-D6	FLAT WASHER M6	5
20	UNI7473-D6	SELF LOCKING NUT M6	3
21	UNI5737-D6L30	BOLT T.E. M6 CR8.8 L=30 MM	1
22	UNI5737-D6L25	BOLT T.E. M6 CR8.8 L=25 MM	1
23	SAKA C6M	ROD END JOINT ( ROSE JOINT)	1

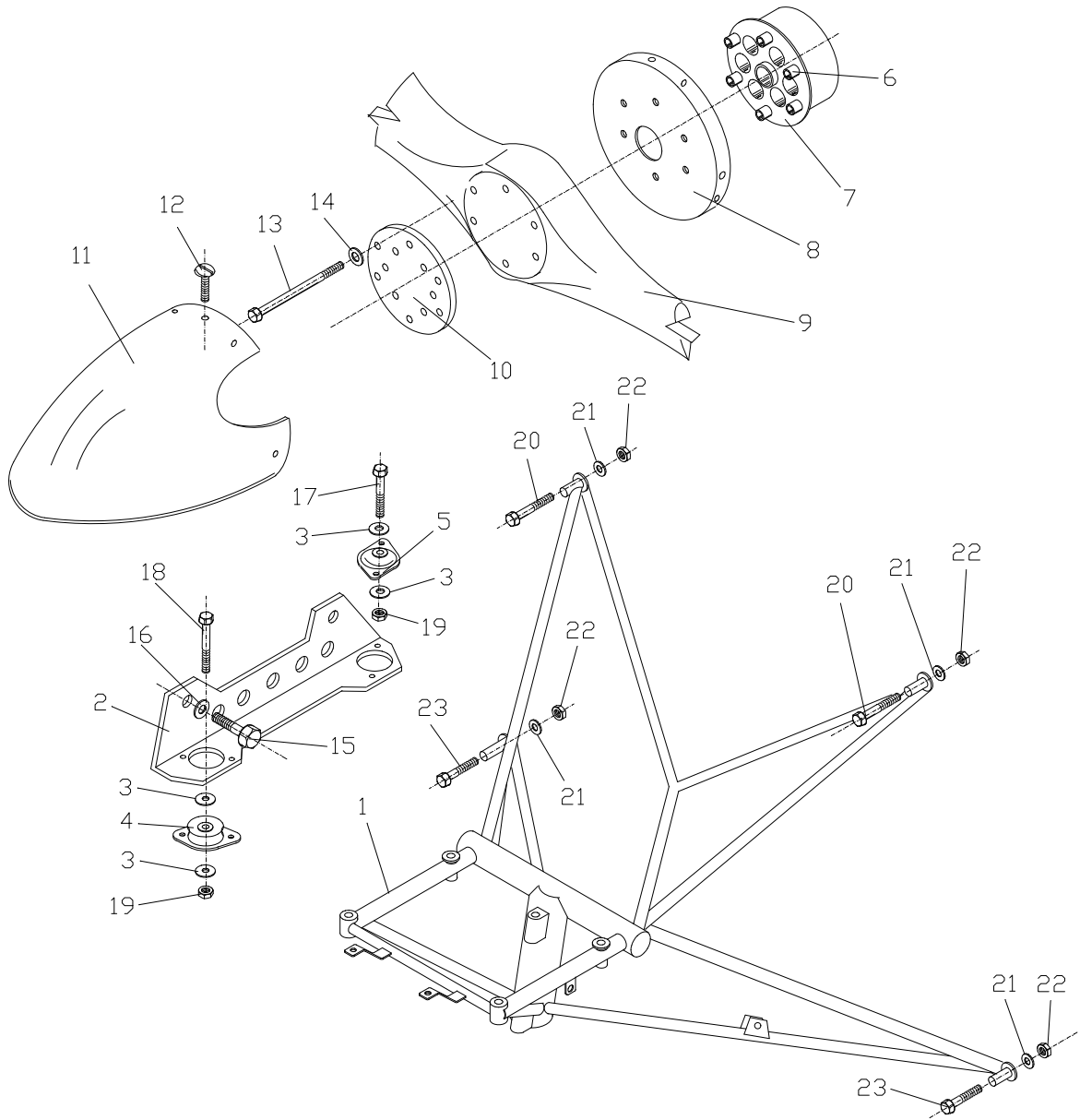


Fig. 6.1 ENGINE INSTALLATION



### ENGINE INSTALLATION

ITEM	P/N	DESCRIPTION	qty
1	21-10-100-000	ENGINE MOUNT ASSY.	1
2	92-11-912-1	ENGINE BEARER PLATE LH	1
	92-11-912-2	ENGINE BEARER PLATE RH	1
3	92-11-912-3	WASHER - SILENT BLOCK	8
4	786021	SILENT BLOCK 70 SH	2
5	786021	SILENT BLOCK 70 SH	2
	21-11-120-001	SPACER ASSY (JS)	1
	21-11-120-002	SPACER ASSY (ECHO SUPER)	1
6	21-11-120-2	DRIVE BUSHING (HOFFMANN PROP)	6
	92-11-910-2	DRIVE BUSHING (GT PROP)	6
7	21-11-120-1	PROP DRIVE SPACER "HOFFMAN"	1
	20-11-910-1	PROP DRIVE SPACER "GT"	1
8	21-11-124-1	SPINNER BACKPLATE (HOFFMANN PROP)	1
	96-11-101-1	SPINNER BACKPLATE (GT PROP)	1
9	-	PROPELLER "HOFFMAN" – H017GJM-174 177C (JS)	1
	-	PROPELLER "F.LLI TONINI" – GT-ECHO 2/172/164 (ECHO SUPER)	1
10	-	PROP CRUSH PLATE (JS)	1
	827 835	PROP CRUSH PLATE (ECHO SUPER)	1
11	96-11-100-1	SPINNER (ECHO SUPER)	1
	21-11-126-1	SPINNER (JS)	1
12	UNI7688-D4L12	BOLT T.T. M4 L=12 MM	8
13	UNI5737D8L120	BOLT T.E. M8 CR8.8 L=160 MM	6
14	UNI6592-D8	RONDELLA D=8	6
15	UNI5739-D10L35	BOLT T.E. M10 CR8.8 L=35 MM	4
16	UNI6592-D10	WASHER D=10	4
17	UNI5737-D8L75	BOLT T.E. M8 CR8.8 L=75 MM	8
18	UNI5737-D8L80	BOLT T.E. M8 CR8.8 L=80 MM	2
19	UNI7473-D8	SELF LOCKING NUT M8	12
20	UNI5737-D6L70	BOLT T.E. M6 CR8.8 L=70 MM	2
21	UNI6592-D6	WASHER D=6	4
22	UNI7473-D6	SELF LOCKING NUT M6	4
23	UNI5737-D6L80	BOLT T.E. M6 CR8.8 L=80 MM	2

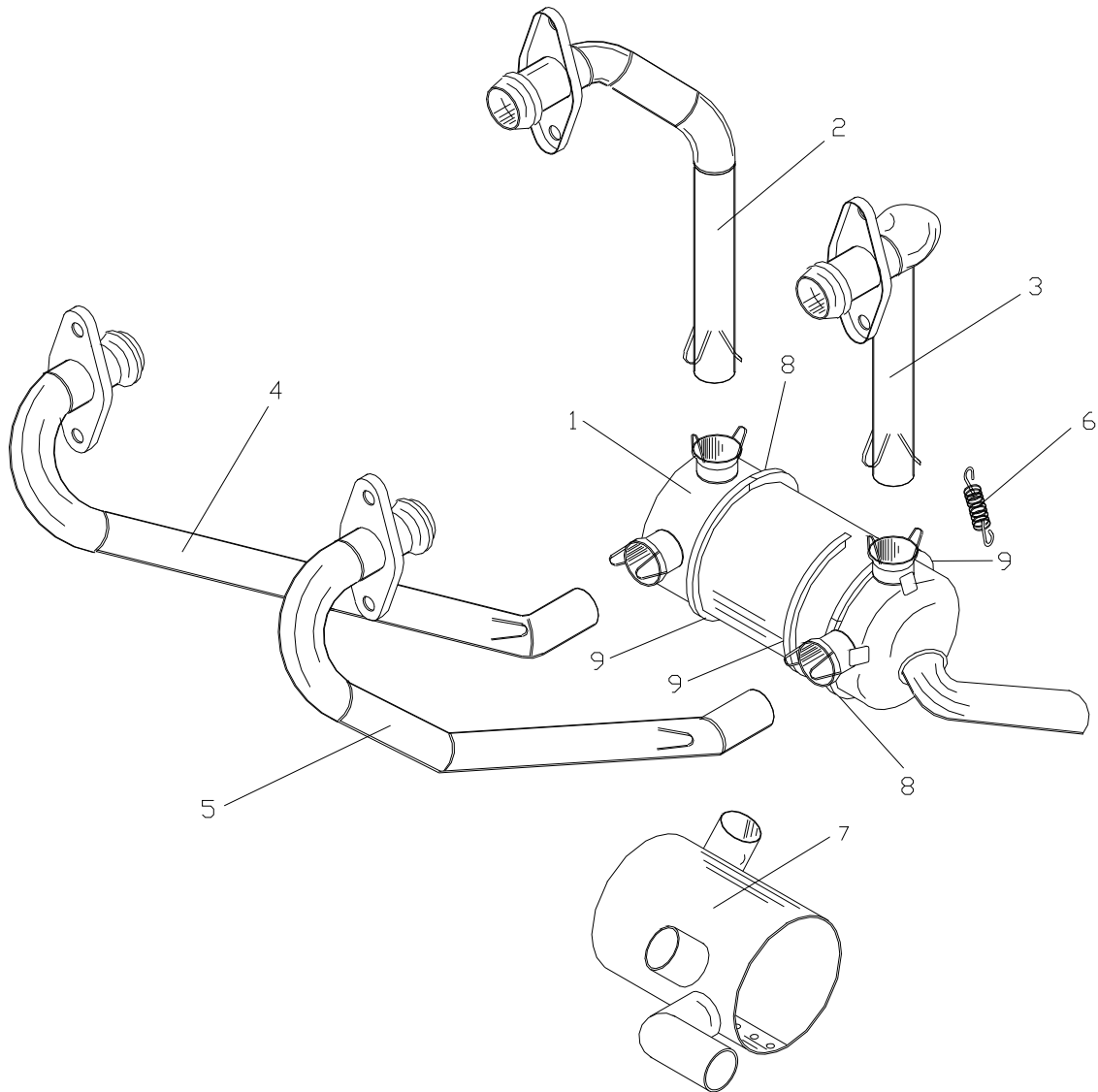


Fig. 6.2 EXHAUST SYSTEM

*EXHAUST SYSTEM*

ITEM	P/N	DESCRIPTION	qty
1	978-480	MUFFLER (SILENCER) WITH ATTACHMENTS	1
2	92-11-750-002	OUTLET PIPE REAR RH	1
3	92-11-750-001	OUTLET PIPE REAR LH	1
4	92-11-750-004	OUTLET PIPE FRONT RH	1
5	92-11-750-003	OUTLET PIPE FRONT LH	1
6	938-795	HELICAL SPRING	8
7	21-11-402-000	HOT AIR JACKET FOR CARB & CABIN HEAT	1
7B	21-11-404-000	CABIN HEAT ASSY	1
8	20-11-136-1	SPACER COLLAR LH	2
9	20-11-136-2	SPACER COLLAR RH	3

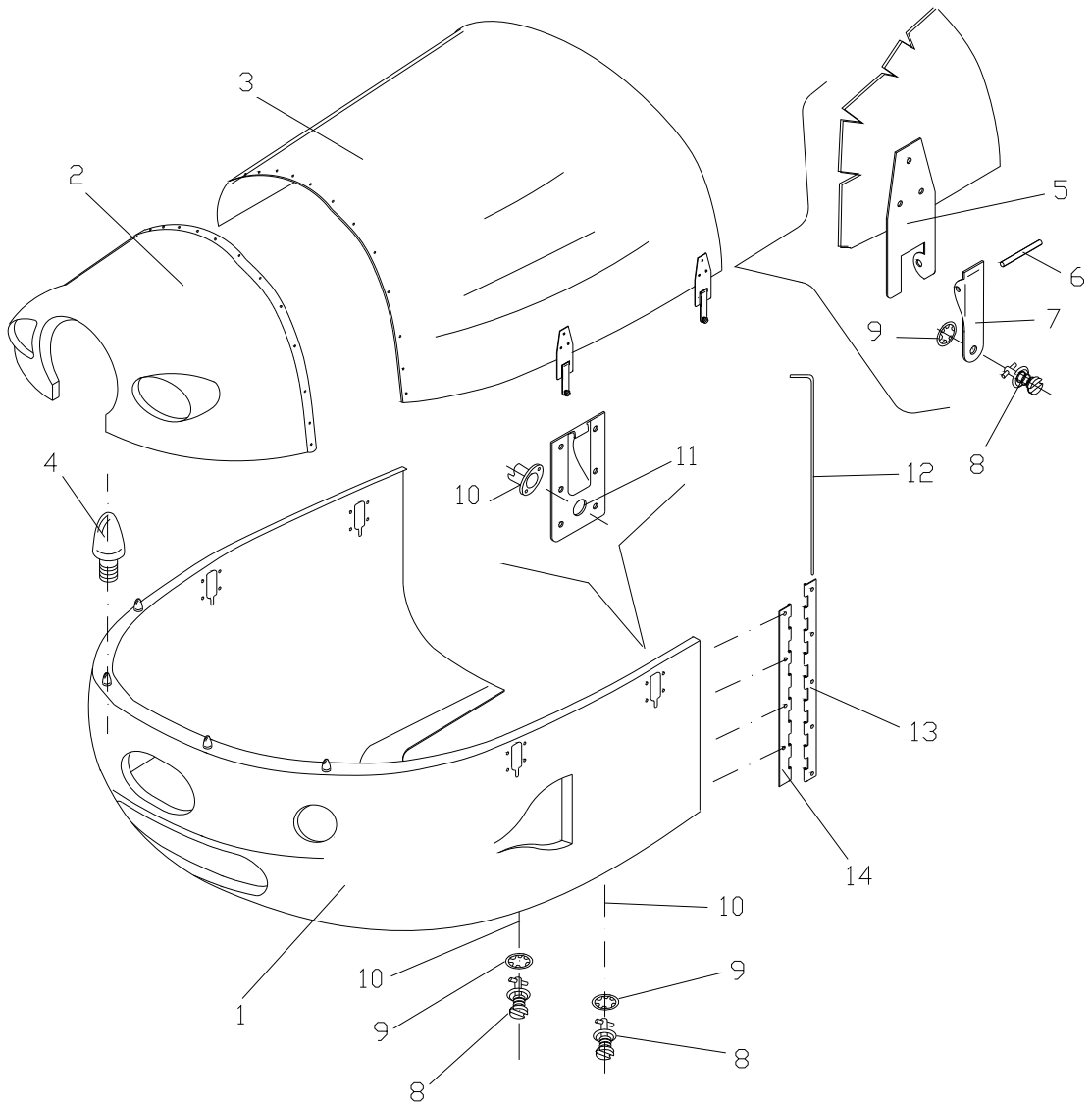


Fig. 6.3 ENGINE COWLING

### ENGINE COWLING

ITEM	P/N	DESCRIPTION	qty
1	21-11-106-001	COWLING LOWER - STANDARD	1
	21-11-106-002	COWLING LOWER WITH PROVISION FOR CARB & CABIN HOT AIR	1
2	20-11-104-1	HALF COWLING - TOP - FRONT	1
3	21-11-102-1	COWLING - TOP PANEL	1
4	92-11-903-1	LOCATING STUD	4
5	92-11-915-1	CLOSURE BUCKLE - TOP PART	4
6	92-11-915-4	BUCKLE HINGE PIN	4
7	92-11-915-2	CLOSURE LEVER	4
8	2600-4	"CAM LOK" INSERT	6
9	2600-LW	CROWN WASHER TO RETAIN CAMLOK	6
10	212-12N	CAMLOK SOCKET	6
11	92-11-915-3	CLOSURE BUCKLE - LOWER PART	4
12	20-11-108-1	HINGE PIN	2
13	20-11-108-2	PIANO HINGE (FUSELAGE SIDE) L=342	2
14	20-11-108-3	PIANO HINGE (COWLING SIDE) L=342	2

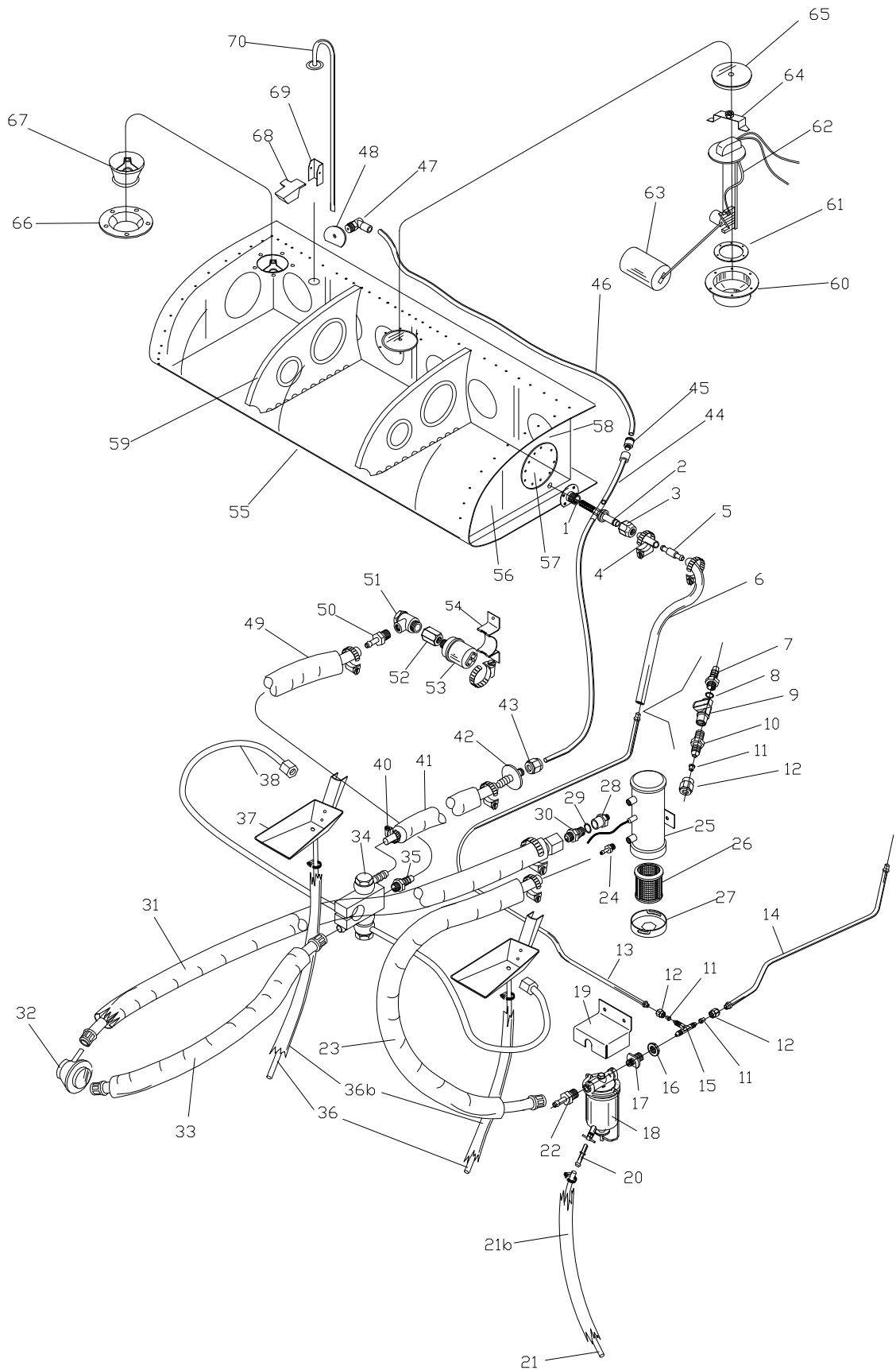


Fig. 7.1 FUEL SYSTEM (JS)

### FUEL SYSTEM (JS)

ITEM	P/N	DESCRIPTION	qty
	<b>21-11-300-000</b>	<b>FUEL SYSTEM (JS)</b>	
1	92-9-980-1	FUEL TANK OUTLET FLANGE	2
2	21-9-110-000	SUPPORT AND MESH FUEL FILTER (FINGER FILTER) ASSY	2
3	5/8" 19 FILETTI	NUT	2
	-	TUBE CLAMP SERFLEX	6
4	21-11-311-1	FLEXIBLE TANK OUTLET TUBE	2
5	96-9-910-1	STRAIGHT JOINTS FOR FLAXIBLE TUBE AT WING ROOT	2
6	21-11-311-2	FLEXIBLE TUBE FOR INSIDE OF CABIN	2
7	-	NIPPLE TERMINAL FOR FUEL COCK	2
8	-	O-RING	2
9	-	FUEL COCK 1/8"	2
10	AN816-4D	JOINT TERMINAL	2
11	AN819-4D	OLIVE	4
12	AN818-4D	COMPRESSION NUT	4
13	92-9-981-2	RIGID TUBE RH	1
14	92-9-981-1	RIGID TUBE LH	1
15	AN826-4D	"T" JOINT	1
16	-	THREADED COLLAR M16	1
17	92-9-402-1	GROMMET FOR GASCOLATOR	1
18	10564	GASCOLATOR	1
19	92-11-103-1	FIRE PROTECTION SHIELD FOR GASCOLATOR	1
20	92-9-411-1	JOINT FOR FILTER TAP	1
21	21-11-310-1	DRAIN PIPE FOR GASCOLATOR	1
21B	21-11-300-2	FIREPROOF COVER	
22	-	JOINT FOR GASCOLATOR / FUEL PUMP	1
23	21-11-340-1	FLEXIBLE TUBE GACOLATOR / FUEL PUMP	1
24	-	RACCORDO TUBO POMPA	1
25	478360	FACET ELECTRIC FUEL PUMP	1
26	-	MESH FILTER FOR FACET PUMP	1
27	-	SEALING LID FOR FACET PUMP	1
28	-	INTERMEDIATE JOINT FOR ELECTRIC PUMP / TUBE	1
29	-	O-RING	1

### FUEL SYSTEM (JS)

ITEM	P/N	DESCRIPTION	qty
30	-	FINAL JOINT FOR ELECTRIC PUMP / TUBE	1
31	-	FLEXIBLE TUBE P. ELEC PUMP/ MECH. PUMP (ROTAX)	1
32	-	POMPA MECCANICA (ROTAX)	1
33	-	FLEXIBLE TUBE - MECH. PUMP / FUEL MANIFOLD (ROTAX)	1
34	-	FUEL MANIFOLD (ROTAX)	1
35	-	JOINT FUEL MANIFOLD/INLET SENSOR	1
36	21-11-300-1	HOSE FUEL DRAIN	2
36B	21-11-300-2	FIREPROOF COVER	2
37	-	DRIP TRAY FOR CARBURETTER (AIRBOX ROTAX)	1+1
38	-	FUEL HOSE ASSY (ROTAX)	1+1
40	-	SERFLEX TUBE CLAMP COLLAR	2
41	21-11-330-1	FLEXIBLE TUBE. FUEL MANIFOLD/GROMETTED	1
42	92-9-402-2	FUEL RETURN FIREWALL PASS/THRO' GLAND	1
43	-	NUT	1
44	21-11-332-000	RETURN FUEL COPPER TUBE ASSY.	1
45	-	RAPID JOINT FOR NYLON TUBE	1
46	21-11-334-1	NYLON TUBE WITH UNION FOR ROTATING END JOINT	1
47	AIREX 350 G 1/8"1/4	ROTATING JOINT FOR RETURN TUBE - ELBOW	1
48	92-11-991-1	FLANGE PLATE FOR JOINT	1
49	21-11-324-1	FLEXIBLE TUBE - FUEL MANIFOLD/PRESSURE SENSOR	1
50	-	TUBE NIPPLE FOR ROTATING JOINT	1
51	-	ROTATING JOINT	1
52	21-11-322-1	ADAPTOR	1
53	10-25065	FUEL PRESSURE SENSOR	1
54	21-11-320-1	FUEL PRESSURE SENSOR SUPPORT BRACKET	1
55	96-1-608-1/2	TANK SKIN PANEL LH/RH (45LT)	1+1
	96-1-604-1/2	TANK SKIN PANEL LH/RH (35 LT)	1+1
56	96-1-602-1/2	RIB WITH OPENING	2+2
57	96-1-605-1	INSPECTION HATCH	4
58	96-1-607-2	BACK BULKHEAD (45LT)	2
	96-1-607-1	BACK BULKHEAD (35LT)	2
59	96-1-603-1/2	CENTRAL RIB (BAFFLE) LH/RH (45LT)	2+2
	96-1-603-1/2	CENTRAL RIB (BAFFLE) LH/RH (35LT)	1+1
60	96-1-610-1	SUPPORT FLANGE FOR FUEL LEVEL SENSOR	2

### FUEL SYSTEM (JS)



ITEM	P/N	DESCRIPTION	qty
61	96-1-610-5	SEAL RING FOR TANK OPENING	2
62	GP 9745 A	FUEL LEVEL SENSOR	2
63	96-1-612-1	FUEL LEVEL SENSOR FLOAT	2
64	96-1-611-000	ANCHOR BRIDGE TO SECURE TOP CAP	2
65	96-1-610-2	TOP CAP FOR FUEL LEVEL SENSOR	2
66	96-1-620-1	SUPPORT FLANGE FOR FUEL FILLER	2
67	UD 3-C	FILLER CAP	2
68	7420.1	FLOAT 7420.1 FOR FUEL TANK BREATHER	2
69	21-1-330-1	FLOAT SUPPORT BRACKET	2
70	20-1-250-000	TANK BREATHER ASSY.	2

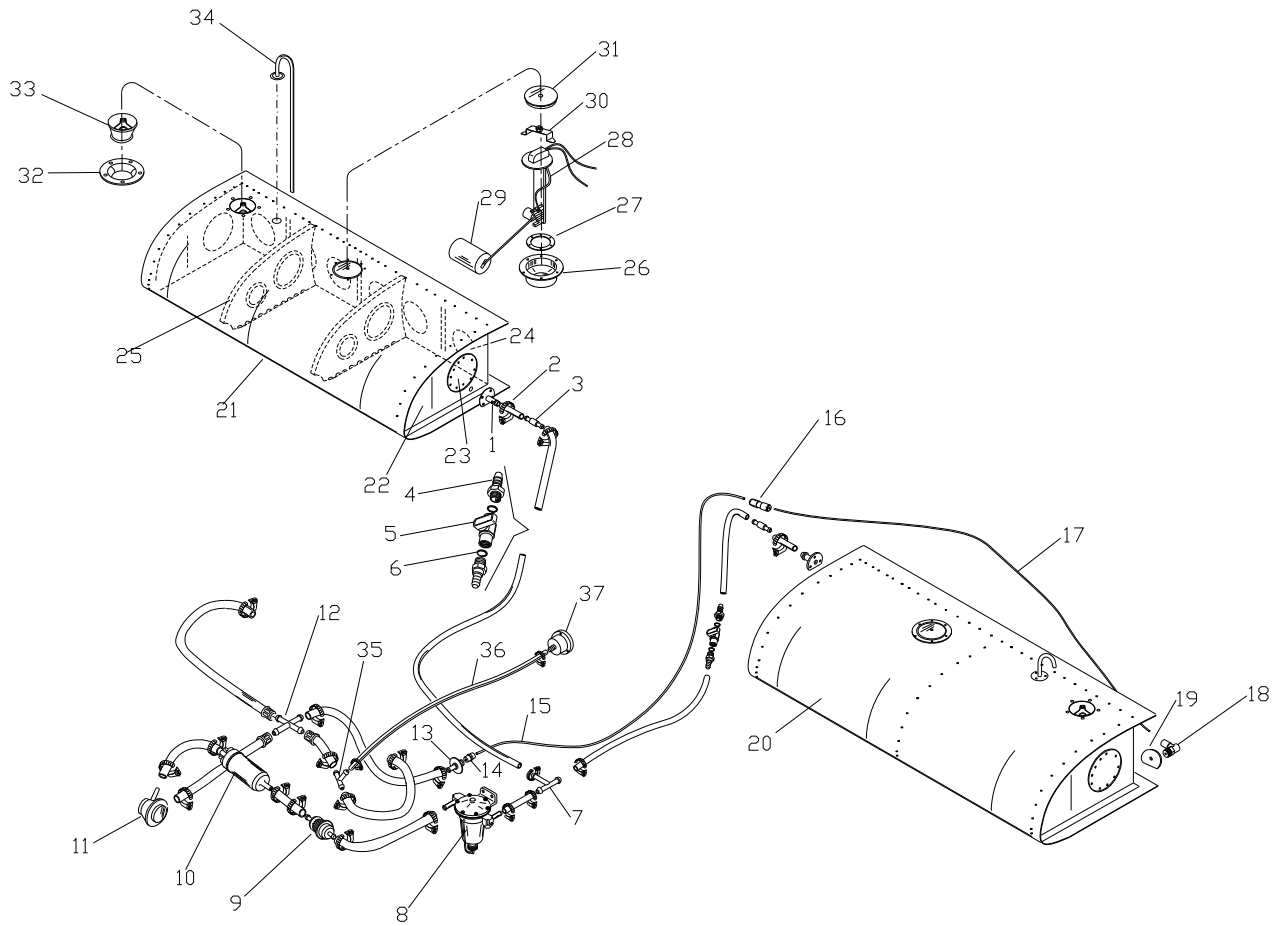


Fig. 7.2 FUEL SYSTEM (Echo-Super)

### FUEL SYSTEM (ECHO-SUPER)

ITEM	P/N	DESCRIPTION	qty
1	92-9-901-2	FUEL TUBE ATTACH NIPPLE	2
2	-	SERFLEX TUBE CLAMP COLLAR	-
3	96-9-910-1	JOINT FOR FLEXIBLE TUBE - WING ROOT END	2
4	-	TUBE NIPPLE JOINT	2
5	-	FUEL COCK 1/8"	2
6	-	O-RING	4
7	96-9-912-002	"T" JOINT	1
8	PRV-060	GASCOLATOR	1
9	-	FUEL FILTER	1
10	7,21440,53,0	ELECTRIC FUEL PUMP (Pierburg-Kraftstoff pump)	1
11	-	MECHANICAL PUMP (ROTAX)	1
12	96-9-912-001	"X" JOINT WITH RESTRICTOR	1
13	92-9-402-2	FIREWALL FUEL RETURN GLAND	1
14	-	RAPID JOINT FOR NYLON TUBE	1
15	21-11-336-1	NYLON RETURN FUEL TUBE (IN CABIN)	1
16	-	RAPID JOINT FOR NYLON TUBE	1
17	21-11-334-1	NYLON TUBE JOINT/ROTATING JOINT	1
18	AIREX 350 G	ROTATING TUBE JOINT/ 1/8" ELBOW JOINT	1
19	92-11-991-1	JOINT FLANGE	1
20	21-1-300-001/2	FUEL TANK ASSY 35LT	1+1
	21-1-340-001/2	FUEL TANK ASSY 45 LT	1+1
21	96-1-608-1/2	SKIN PANEL LH & RH(45LT)	1+1
	96-1-604-1/2	SKIN PANEL LH & RH (35 LT)	1+1
22	96-1-602-1/2	END BULKHEAD WITH OPENING RH/LH	2+2
23	96-1-605-1	INSPECTION HATCH	4
24	96-1-607-2	REAR BULKHEAD (45LT)	2
	96-1-607-1	REAR BULKHEAD (35LT)	2
25	96-1-603-1/2	CENTRAL BULKHEAD (BAFFLE) RH/LH(45LT)	2+2
	96-1-603-1/2	CENTRAL BULKHEAD (BAFFLE) RH/LH(35LT)	1+1
26	96-1-610-1	FUEL LEVEL SENSOR SUPPORT FLANGE	2
27	96-1-610-5	SEAL RING FOR TANK OPENING	2
28	GP 9745 A	FUEL LEVEL SENSOR	2
29	96-1-612-1	FUEL LEVEL SENSOR FLOAT	2

**FUEL SYSTEM (ECHO-SUPER)**

ITEM	P/N	DESCRIPTION	qty
30	96-1-611-000	TOP CAP SECURING BRIDGE	2
31	96-1-610-2	TOP CAP FOR FUEL LEVEL SENSOR	2
32	96-1-620-1	FUEL FILLER FLANGE	2
33	UD 3-C	FILLER CAP	2
34	20-1-250-000	BREATHER ASSY	2
35	96-9-912-003	"T" JOINT WITH RESTRICTOR	1
36	21-11-326-1	TUBE FOR FUEL PRESSURE SENSOR	1
37	-	FUEL PRESSURE GAUGE (BAGNATO)	1

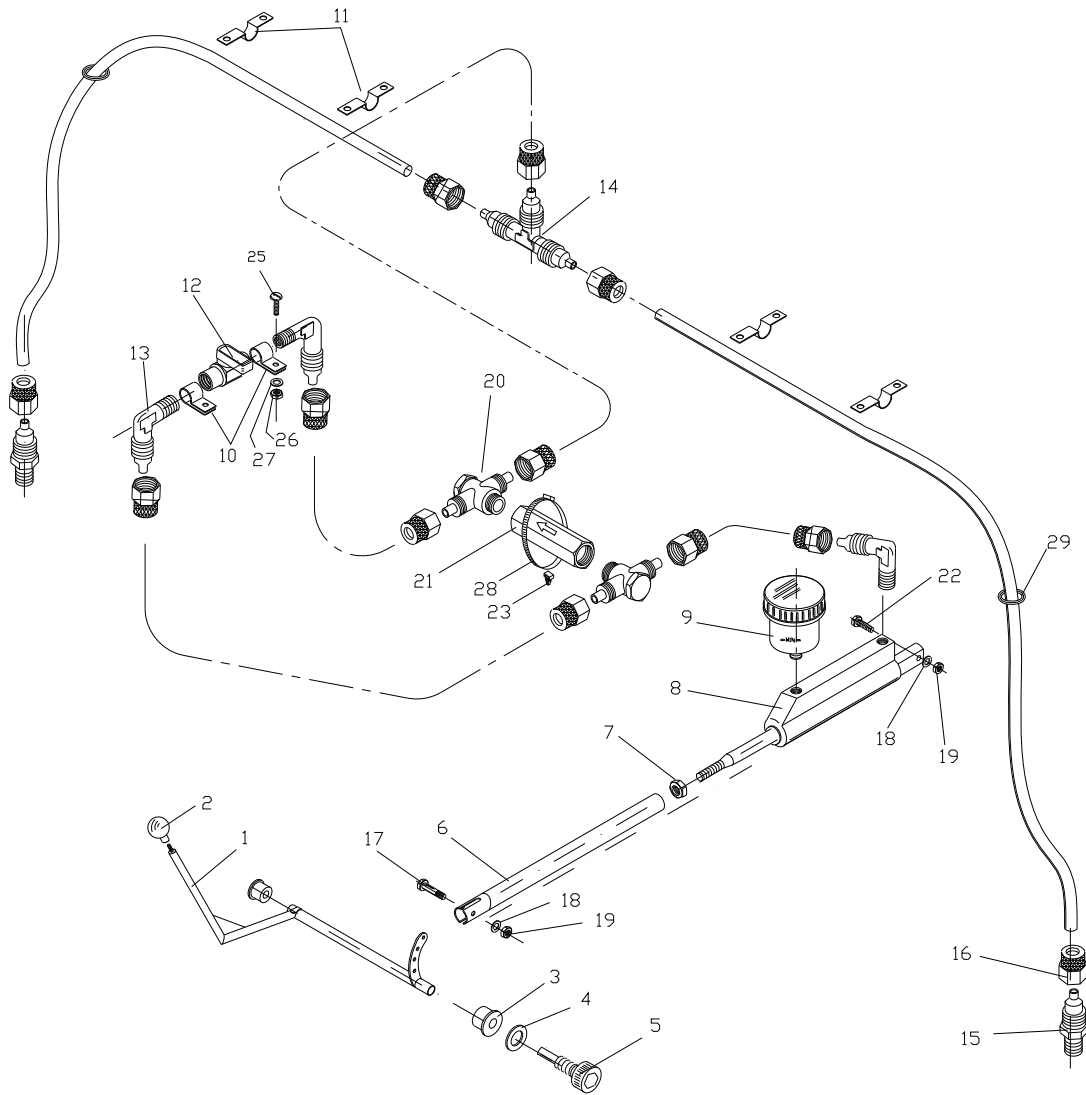


Fig. 7.3 BRAKE SYSTEM

### BRAKE SYSTEM

ITEM	P/N	DESCRIPTION	qty
1	20-5-100-000	BRAKE LEVER	1
2		KNOB	1
3	92-9-110-3	BUSH	2
4	UNI 6592	WASHER	2
5	92-5-310-7	BOLT FOR ATTACHING BRAKE LEVER	2
6	21-9-202-1	PUSH ROD FOR MASTER CYLINDER	1
7		NUT	1
8	10-20	CLEVELAND ABRAKE MASTER CYLINDER	1
9		OIL RESERVOIR	1
10	92-9-926-1	'P' CLIPS FOR SECURING PARK BRAKE COCK	2
11	92-9-918-1	SURFACE MOUNT TUBE CLIPS	4
12		PARKING BRAKE COCK. 1/8"	1
13	1500-6-4-1/8"	'L' JOINT (ELBOW)	3
14	1540-6-4-1/8"	'T' JOINT	1
15	1510-6-4-1/8"	SLAVE CYLINDER TUBE UNION	2
16	AN-418-4D	COLLAR NUT	10
17	UNI5737	BOLT T.E. M6 CR8.8 L=25 MM	1
18	UNI6592	WASHER D=8	2
19	UNI5593	CASTELLETED NUT M6	2
20		ROTARY 'T' JOINT (BANJO)	2
21		NON-RETURN VALVE	1
22		BOLT T:E: M6	1
23	-	SURFACE MOUNT SHOE IN TEFLON	1
24			
25		CAP SCREW	2
26		WASHER	2
27		NUT	2
28	-	COLLAR	1
29	-	RUBBER GROMMET	2

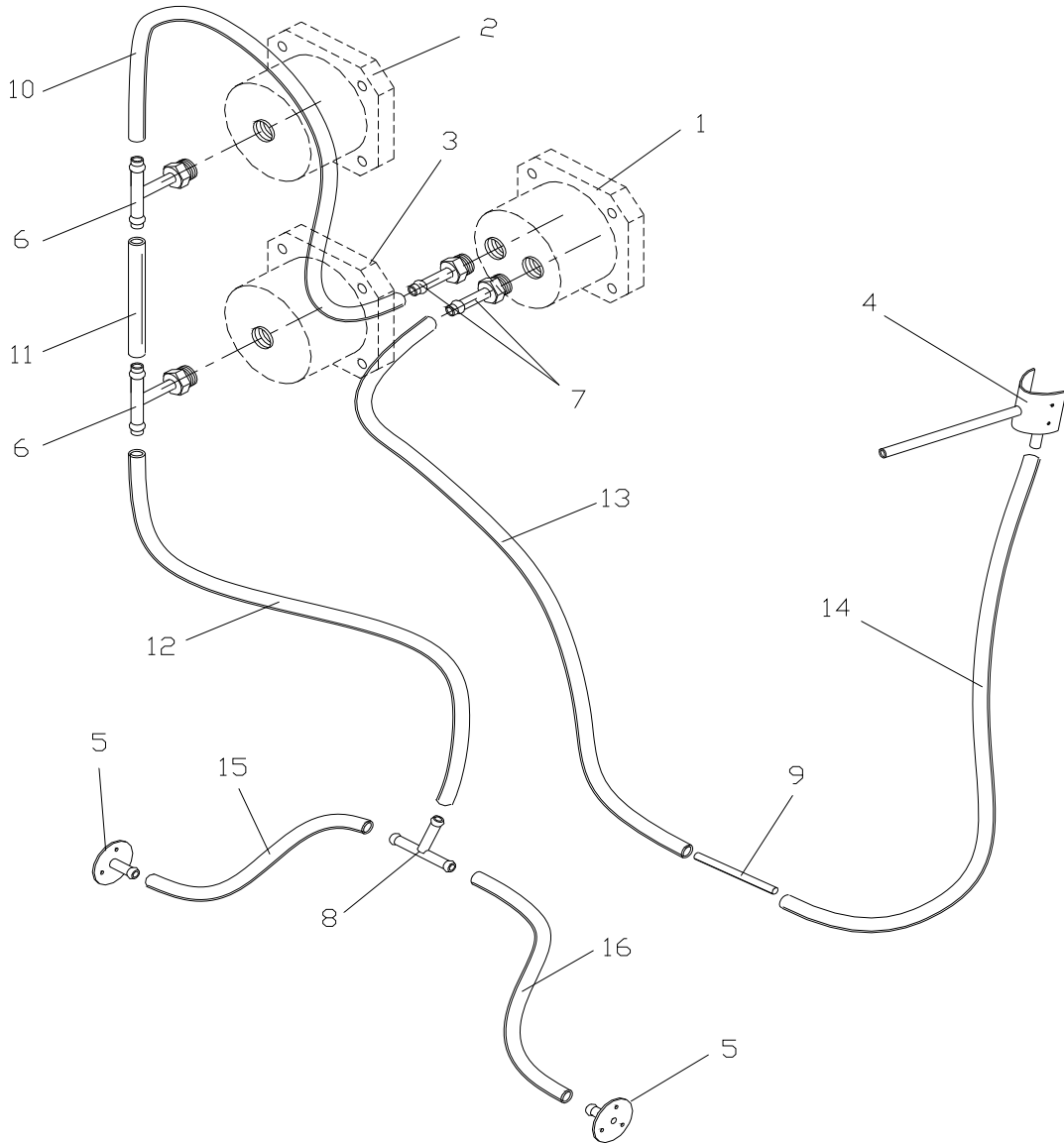


Fig. 7.4 PITOT & STATIC SYSTEM

### PITOT & STATIC SYSTEM

ITEM	P/N	DESCRIPTION	qty
1	T6-311-160	AIRSPED INDICATOR (ASI) U.M.A. (JS)	1
	BM – 300	AIRSPED INDICATOR (ECHO SUPER)	1
2	5934 PM-3	ALTIMETER UNITED INSTRUMENTS (JS)	1
	BG – 3A	ALTIMETER (ECHO SUPER)	1
3	BC – 2A	VERTICAL SPEED INDICATOR (VSI)	1
4	92-9-920-000	PITOT TUBE	1
5	92-9-903-2	STATIC VENT	2
6	-	'T' JOINT THREADED	2
7	-	ADAPTOR THREADED	2
8	-	'T' JOINT	1
9	-	STRAIGHT JOINT WING/FUSELAGE	1
10	-	TUBE ASI/ALTIMETER	1
11	-	TUBEE ASI/VSI	1
12	-	TUBE STATIC VENT	1
13	-	TUBE ASI/CONNECTOR	1
14	-	TUBE - PITOT TO FUSELAGE	1
15	-	TUBE - STATIC VENT RH	1
16	-	TUBO - T/STATICA LH	1



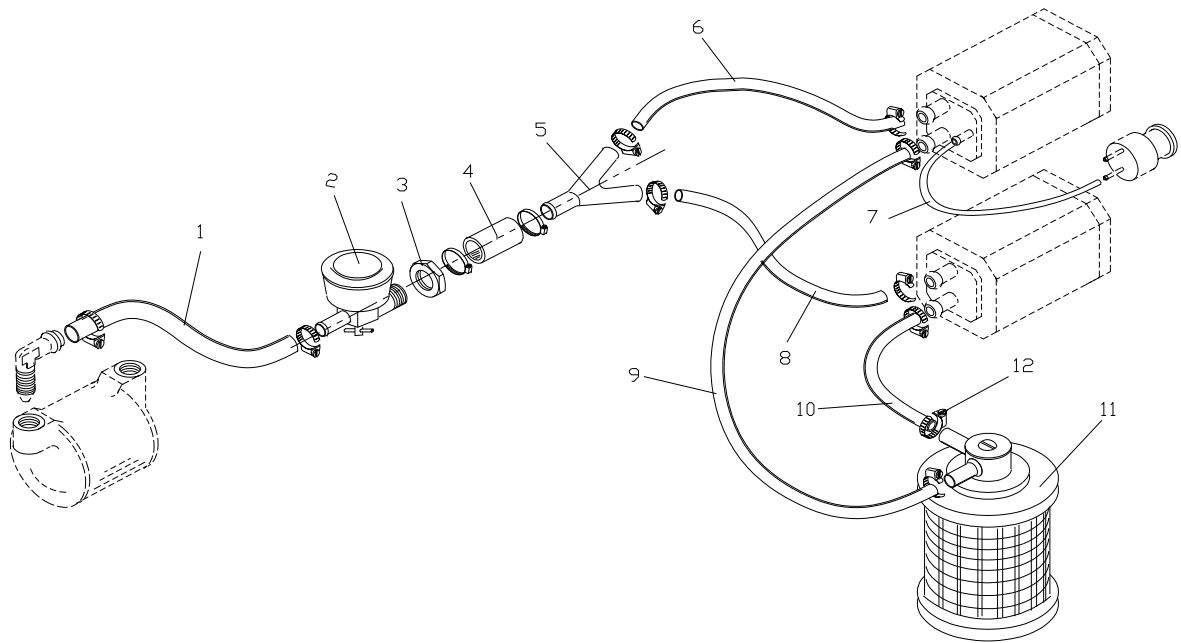


Fig. 7.5 GYROSCOPIC INSTRUMENT SYTEM (optional)

### GYROSCOPIC INSTRUMENT SYTEM (optional)

ITEM	P/N	DESCRIPTION	qty
1		RUBBER TUBE	1
2		PRESSURE CONTROL VALVE	1
3		NUT	1
4		RUBBER SLEEVE	1
5	92-8-408-1	Y JUNCTION FOR VALVE 2H3-6	1
	92-8-408-2	Y JUNCTION FOR VALVE SIGMA-TEK	1
6		RUBBER TUBE - CAVIS BENZ	1
7		SMALL RUBBER TUBE	1
8		RUBBER TUBE – CAVIS BENZ	1
9		RUBBER TUBE – CAVIS BENZ	1
10		RUBBER TUBE - CAVIS BENZ	1
11		AIR FILTER	1
12		SERFLEX TUBE CLAMP COLLAR	12

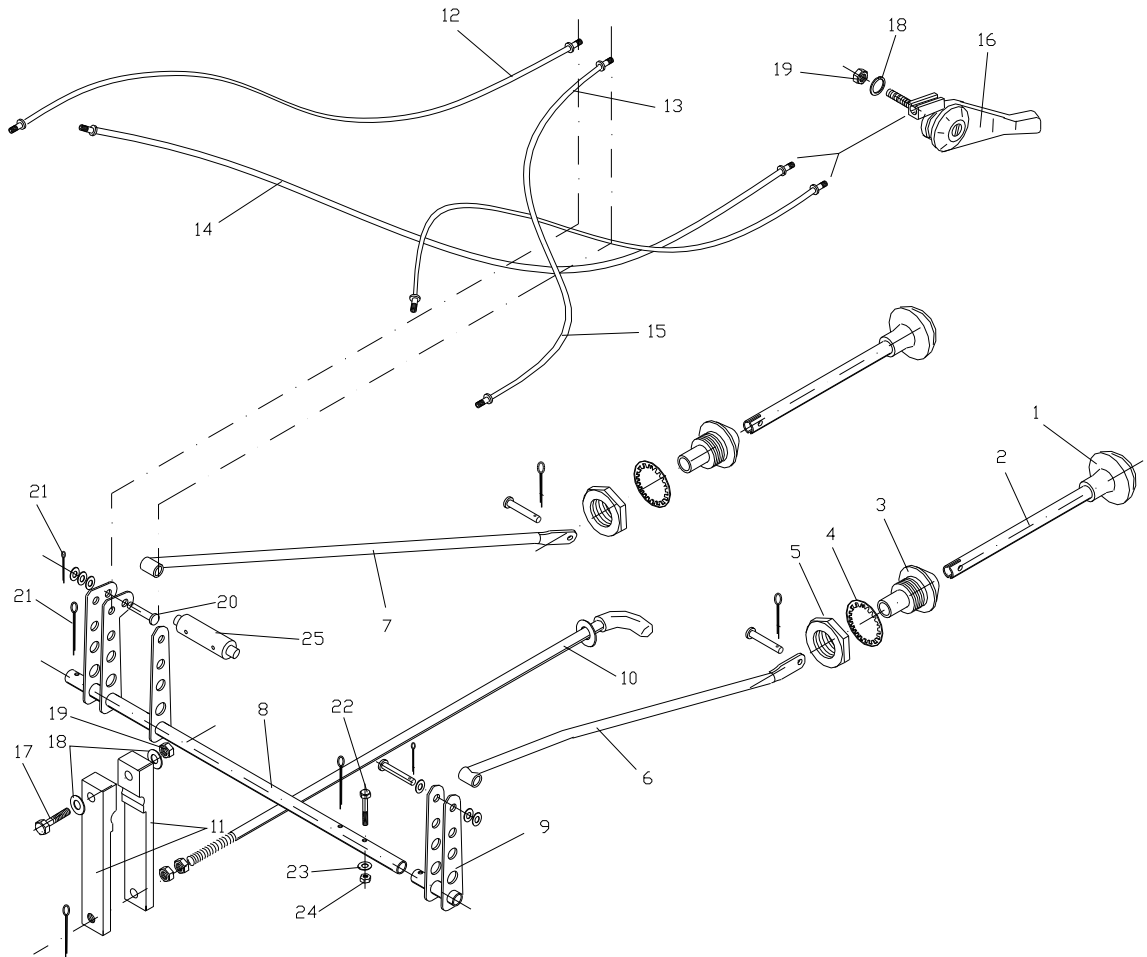


Fig. 7.6 THROTTLE CONTROLS

### THROTTLE CONTROLS

ITEM	P/N	DESCRIPTION	qty
1	92-5-232-1	KNOB	2
2	92-5-232-2	PLUNGER ROD IN STAINLESS STEEL	2
3	92-5-230-1	PLUNGER GUIDE SLEEVE FITTING	2
4	UNI8842	CROWN WASHER	2
5	UNI EN24035	HEX NUT M16	2
6	20-5-410-1	TRANSMISSION ROD LH	1
7	95-5-400-002	TRANSMISSION ROD RH	1
8	92-5-020-000	THROTTLE CONTROL TORQUE TUBE	1
9	92-5-213-000	SECOND THROTTLE CRANK ARM	1
10	92-5-239-3	THROTTLE FRICTION CONTROL ROD	1
11	92-5-239-1	FRICTION CALLIPER	2
12	21-5-202-2	THROTTLE CABLE RH L=380 (WITH SLEEVE)	1
13	21-5-202-1	THROTTLE CABLE LH L=300	1
14	21-5-202-4	CHOKE CABLE RH L=510	1
15	21-5-202-1	CHOKE CABLE LH L=300	1
16		CHOKE LEVER	1
17	UNI5737-D6L10	BOLT T.E. M6 CR8.8 L=10 MM	1
18	UNI6592-D4	FLAT WASHER D=4	2
19	UNI7473-D4	SELF LOCKING NUT M4	2
20	MS20392-2C17	SHEAR PIN L=18 MM	4
21	UNI1336	SPLIT PIN	6
22	UNI5737-D4L25	BOLT T.E. M4 CR8.8 L=25 MM	1
23	UNI6592-D4	FLAT WASHER D=4	1
24	UNI7473-D4	SELF LOCKIN NUT M4	1
25	92-5-211-4	THROTTLE CABLE ATTACHMENT SPINDLE	1
26		ROUND STEEL CABLE TERMINAL	5
27		CABLE LOCKING SLEEVES	8
28		RUBBER GAITERS	6

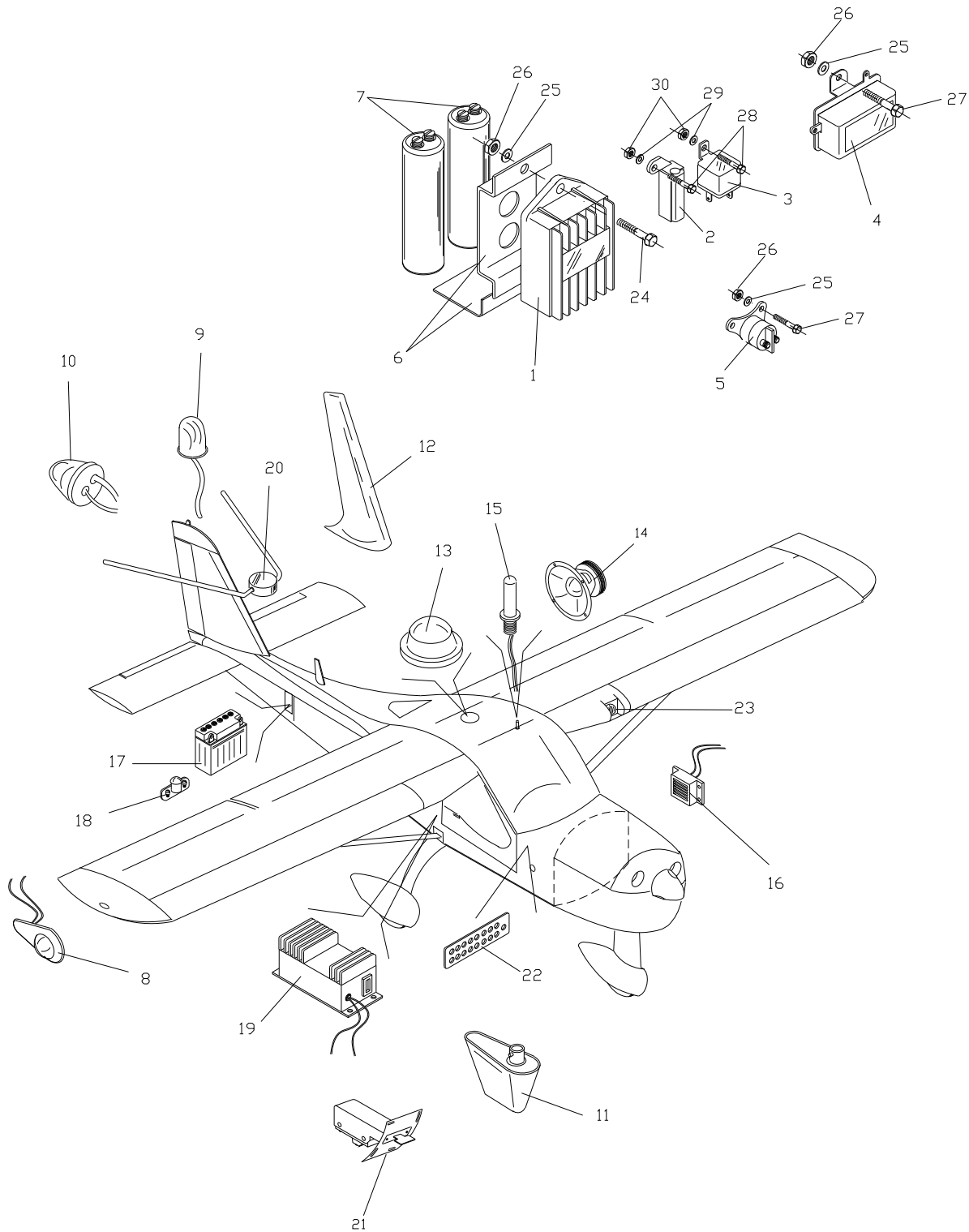


Fig. 7.7 ELECTRICAL COMPONENTS

### ELECTRICAL COMPONENTS

ITEM	P/N	DESCRIPTION	qty
1	945-345	VOLTAGE REGULATOR	1
2		FUSEHOLDER	1
3	40A 12V 2NA	RELAY OVERVOLTAGE	1
4	OS75-14	OVERVOLTAGE SENSOR	1
5	992 819	SOLENOID	1
6	92-9-410-1	CAPACITOR BRACKET	1
7	105-408	CAPACITOR ELECTROLYTIC (22000 $\mu$ F 25V DC WKG)	2
8	W1285-PR	NAVIGATION LIGHT WITH GREEN LENS	1
	W1285-PR	NAVIGATION LIGHT WITH RED LENS	1
9	073-0141	STROBE LIGHT	1
10	W1285-PR	POSITION LIGHT - TAIL	1
11	-	TRASPONDER ANTENNA	1
12	-	COM ANTENNA	1
13	-	GPS ANTENNA	1
14	-	LOUDSPEAKER	2
15	-	OAT SENSOR	1
16	164R	ACOUSTIC STALL WARNING UNIT	1
17	FIAMM 6H4P	BATTERY	1
18	111-226-5	BETTERY RELAY	1
19	152-0007	STROBE POWER UNIT	1
20	-	VOR ANTENNA	1
21	21-9-420-000	STALL SENSOR	1
22	21-12-204-1	BUS-BAR / FUSE PANEL	1
23	<i>Philips 4509</i>	LANDING LIGHT	1
24	UNI 5737	BOLT T.E. M6 CR 8.8 L=20MM	2
25	UNI 6592	FLAT WASHER D=6MM	6
26	UNI 7473	SELF LOCKING NUT M6	6
27	UNI 5737	BOLT T.E. M6 CR 8.8 L=16MM	4
28	UNI 5737	BOLT T.E. M4 CR 8.8 L=16MM	3
29	UNI 6592	FLAT WASHER D=4MM	3
30	UNI 7473	SELF LOCKING NUT M4	3
31	UNI 7688	BOLT T.T. M4 L=12MM	4

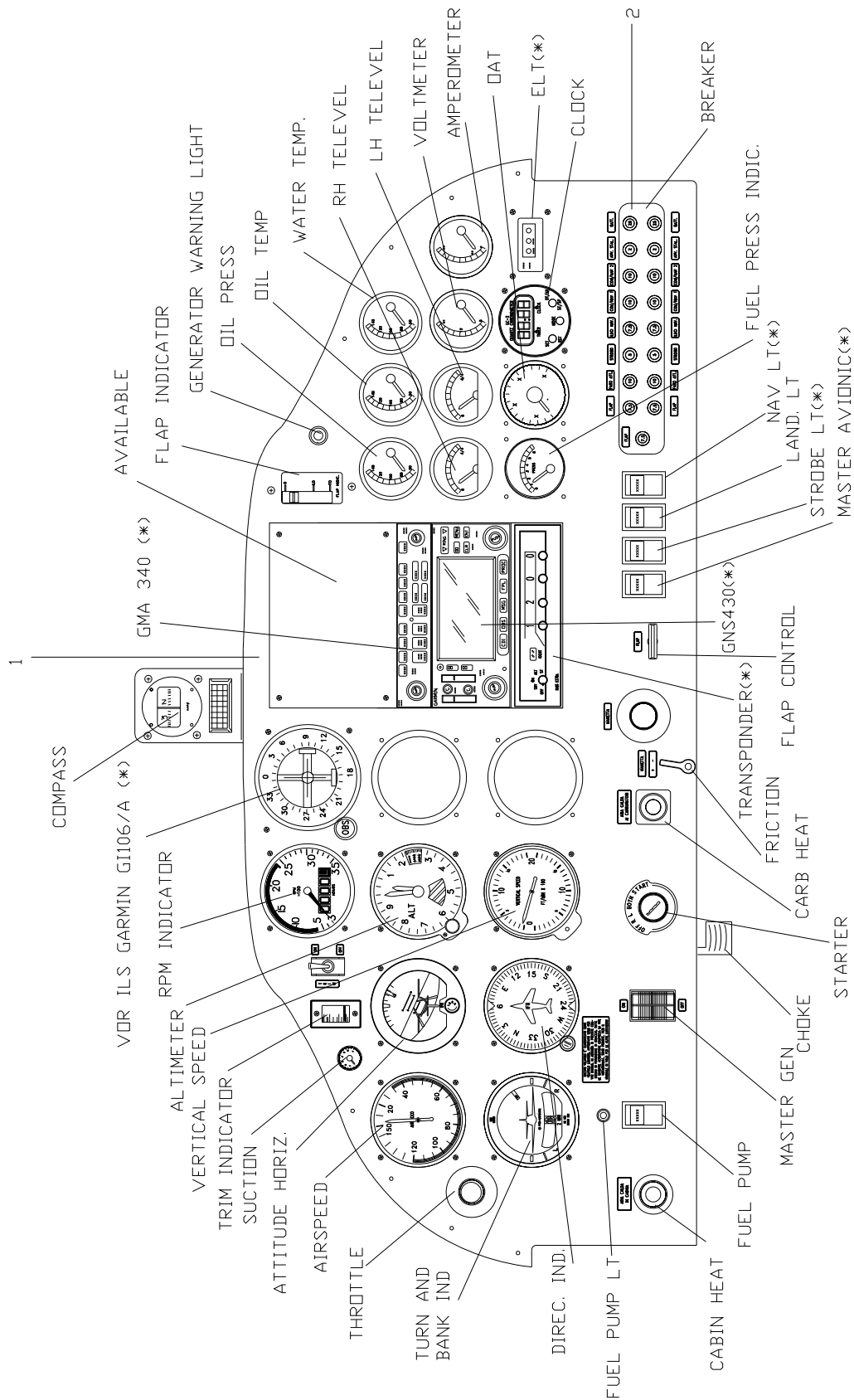


Fig. 7.8 INSTRUMENT PANEL

*INSTRUMENT PANEL*

ITEM	P/N	DESCRIPTION	qty
<b>1</b>	21-12-200-000	INSTRUMENT PANEL (JS)	1
	21-12-210-000	INSTRUMENT PANEL (ECHO SUPER)	1
<b>2</b>	21-12-204-2	FUSE PANEL (JS)	1
	21-12-204-1	FUSE PANEL (ECHO SUPER)	1



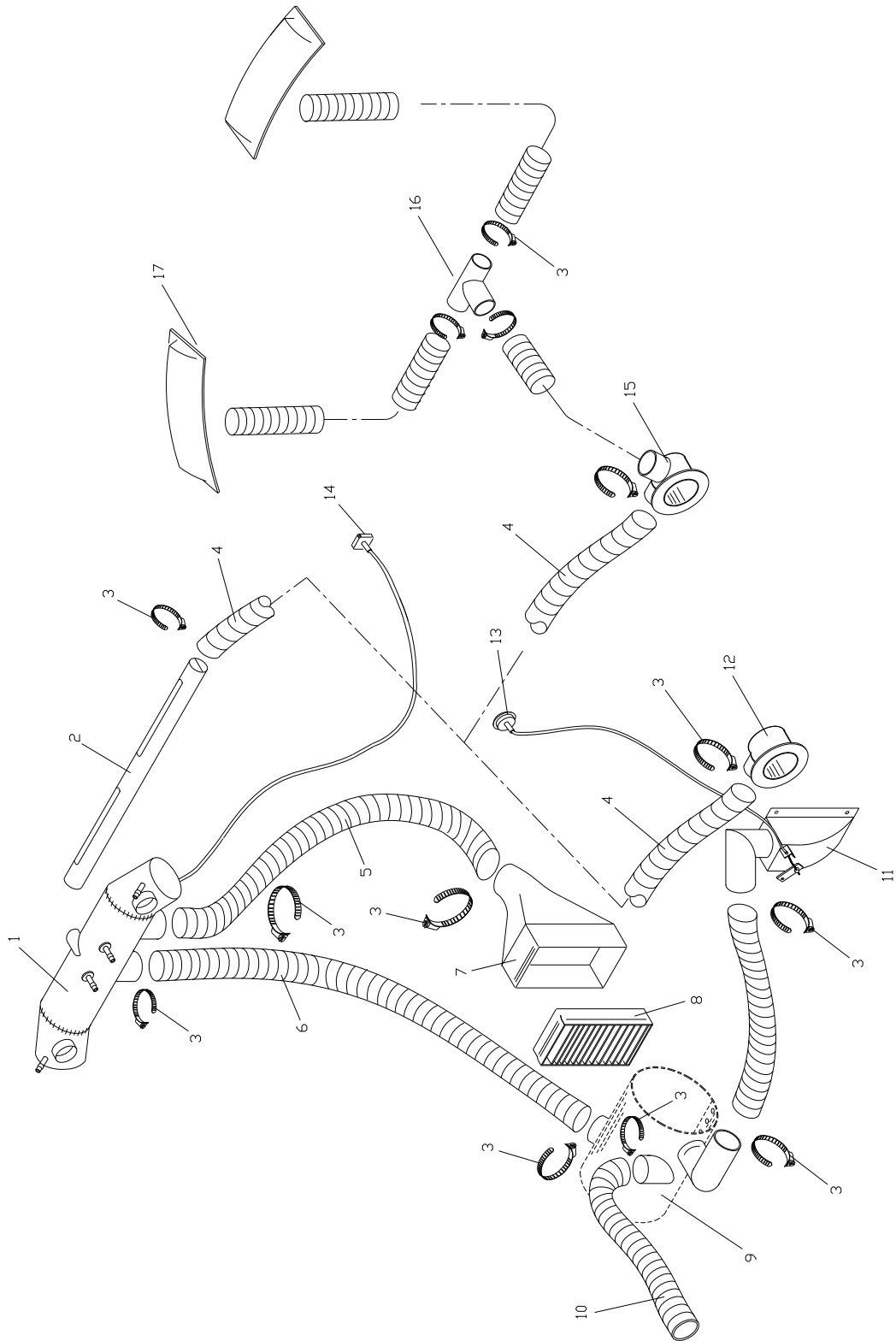


Fig. 7.9 HOT AIR SYSTEM (optional)

### *HOT AIR SYSTEM (OPTIONAL)*

ITEM	P/N	DESCRIPTION	qty
1	92-11-850-000	AIRBOX	1
2	96-11-850-000	CABIN AIR DIFFUSER	1
3		SERFLEX TUBE COLLAR	9
4		CABIN HOT AIR TUBE	1
5		INTAKE TUBE RAM-AIR IN AIRBOX	1
6		INTAKE TUBE HOT AIR IN AIRBOX	1
7	20-11-204-000	OUTSIDE AIR INTAKE FUNNEL	1
8		AIR FILTER (TYPE Y10)	1
9	20-11-201-000	HOT AIR MUFF FOR CABIN AND CARB HEAT ASSY.	1
	20-11-202-000	HOT AIR MUFF FOR CABIN HEAT ONLY ASSY.	1
10		COLD AIR INTAKE TUBE	1
11	92-11-890-000	CABIN HOT AIR CONTROL VALVE	1
12	92-9-705-000	CABIN HOT AIR CONDUIT ASSY.	1
13	92-11-104-1	CABIN HOT AIR CONTROL KNOB	1
14	92-11-104-2	CARB HEAT CONTROL KNOB	1
15	96-11-840-000	AIR DISTRIBUTION CONDUIT WITH TWO OUTLETS	1
16	96-11-855-000	'T' TUBE JUNCTION	1
17	96-11-856-1	WINDSHIELD AIR OUTLET MANIFOLD	

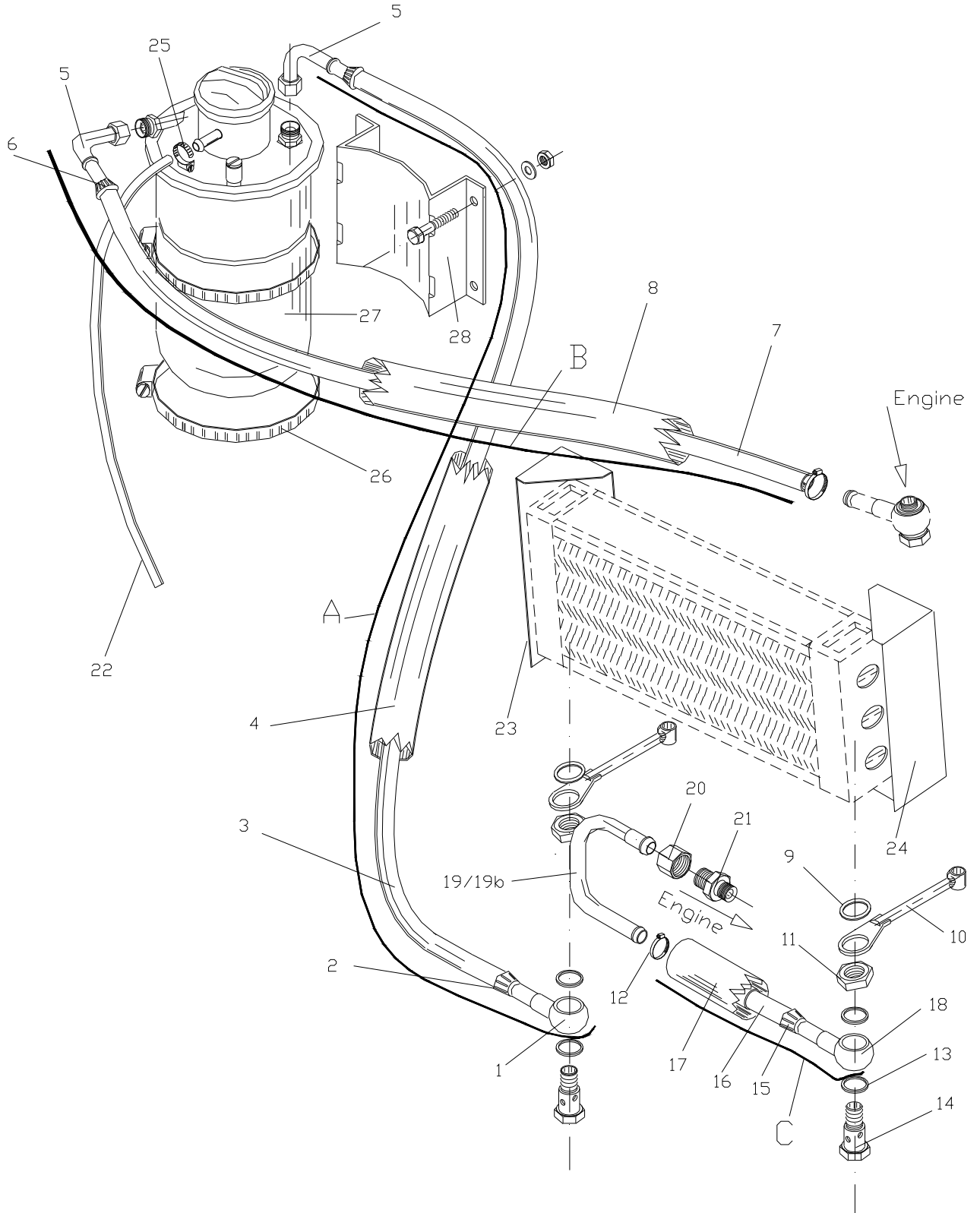


Fig. 7.10 OIL COOLING SYSTEM

FIG.	P/N	DESCRIZIONE	Q.tà
<b>7.10</b>		<b>OIL COOLING SYSTEM</b>	
<b>A</b>	<b>21-11-910-001</b>	<b>ASSY TUBE RADIATOR-TANK</b>	
1	92-11-990-3	TUBE ATTACHMENT	2
2	157256	CLAMP	2
3	21-11-210-1	FLEXIBLE TUBE RADIATOR TANK	1
4	21-11-211-1	ANTIFIRE PAINT SHEATH	1
5	956580	TUBE CONNECTOR	1
<b>B</b>	<b>21-11-910-002</b>	<b>ASSY TUBE LINETANK ENGINE</b>	
5	956580	TUBE CONNECTOR	1
6	157256	CLAMP	1
7	21-11-210-2	FLEXIBLE LINE TANK ENGINE	1
8	21-11-211-2	ANTIFIRE PAINT SHEATH	1
9	92-11-908-4	WASHER	2
10	20-11-908-000	RADIATOR STIFFENING CLAMPER	1
11	12L	NUT	2
12	12X22	SERFLEX	2
13	92-11-990-5	OIL PASSAGE PIN	2
14	92-11-990-2	TUBE ATTACHMENT	1
<b>C</b>	<b>21-11-910-003</b>	<b>ASSY RADIATOR TUBE</b>	
15	157256	CLAMP	1
16	21-11-210-3	FLESSIBLE TUBE	1
17	21-11-211-3	RADIATOR TUBE ANTIFIRE PAINT SHEAT	1
18	92-11-990-3	TUBE ATTACHMENT	1
19	92-11-990-1	METALLIC ELBOW (ONLY FOR ECHO SUPER)	1
19	<b>B</b> 92-11-990-000	METALLIC ELBOW (ONLY FOR P92-JS)	1
20	TN8112L	NUT	1
21	956576	PUMP REDUCTION	1
22	21-11-210-4	BREATHER PIPE	1
23	92-11-100-001	LH RADIATOR SUPPORT	1
24	92-11-100-002	RH RADIATOR SUPPORT	1
25	8X12	SERFLEX	1
26	FIX137157	TANK SUPPORT TIE	2
27	956-137	OIL TANK	1
28	92-11-913-1	TANK SUPPORT	1

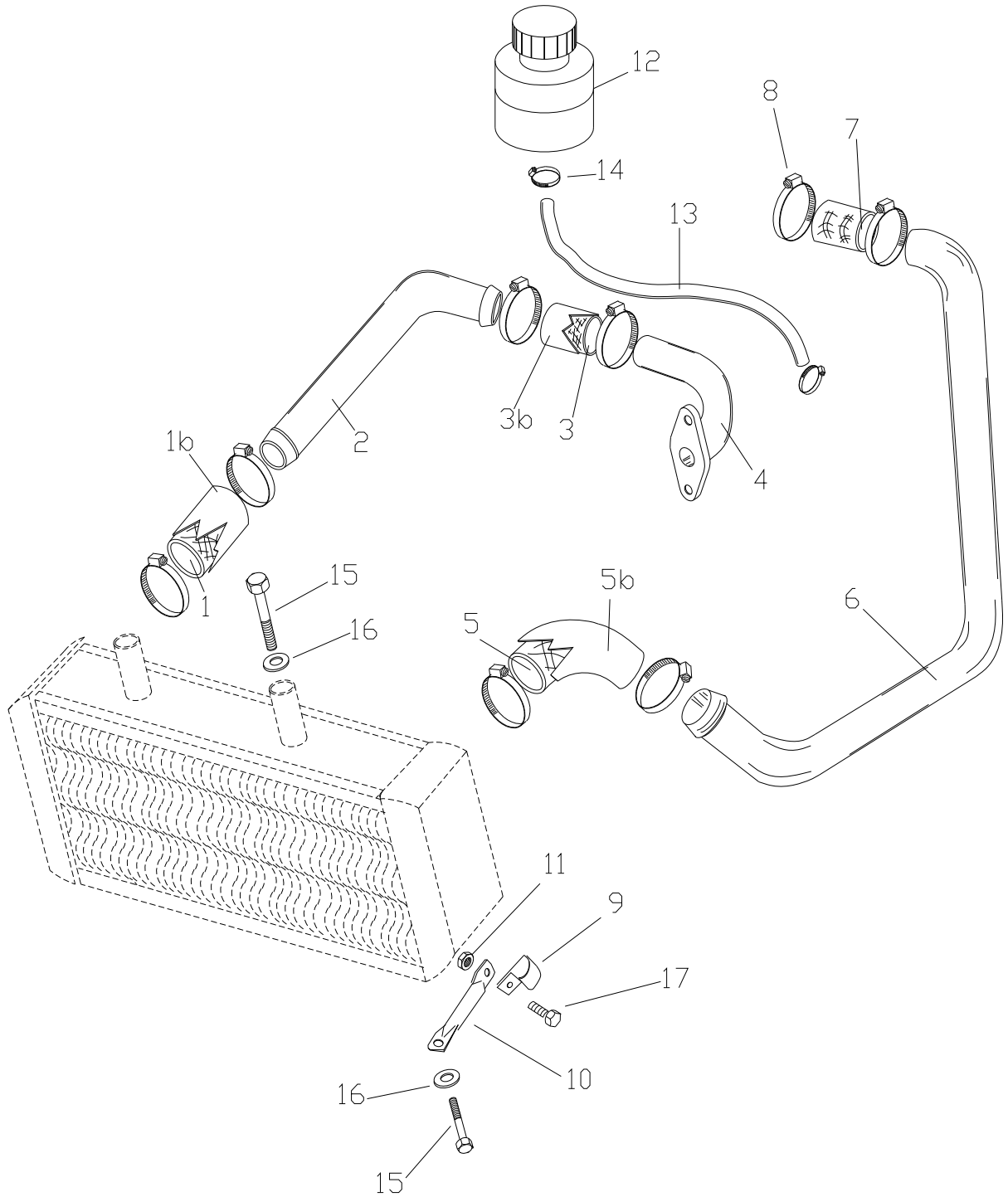


Fig. 7.11 WATER COOLING SYSTEM

### WATER COOLING SYSTEM

ITEM	P/N	DESCRIPTION	qty
<b>1</b>	92-11-105-3	RUBBER JOINT HOSE	1
<b>1B</b>	92-11-105-5	FIREPROOF COVER	1
<b>2</b>	92-11-102-2	METAL PIPE	1
<b>3</b>	92-11-105-4	RUBBER JOINT HOSE	1
<b>3B</b>	92-11-105-6	FIREPROOF COVER	1
<b>4</b>	92-11-923-000	FLANGED METAL ELBOW PIPE	1
<b>5</b>	92-11-105-1	RUBBER JOINT HOSE	1
<b>5B</b>	92-11-105-7	FIREPROOF COVER	1
<b>6</b>	92-11-102-1	TUBO METALLICO	1
<b>7</b>	92-11-105-2	RUBBER JOINT HOSE	1
<b>8</b>	MS21919WDG	SERFLEX TUBE COLLAR	8
<b>9</b>	92-9-926-1	'P' CLIP TO ATTACH RADIATOR	2
<b>10</b>	20-11-924-1	RADIATOR ATTACH ARM	2
<b>11</b>	UNI7473-D4	SELF LOCKING NUT M4	2
<b>12</b>		COOLANT RESERVOIR / EXPANSION TANK	1
<b>13</b>	92-9-160-1	TUBE TO CONNECT TO ENGINE	1
<b>14</b>		SERFLEX TUBE COLLAR	2
<b>15</b>	UNI5739-D6L25	BOLT T.E. M6 CR8.8 L= 25 MM	4
<b>16</b>	UNI6592-D6	FLAT WASHER D=6	4
<b>17</b>	UNI5737-D4L12	BOLT T.T. M4 L=12 MM	2

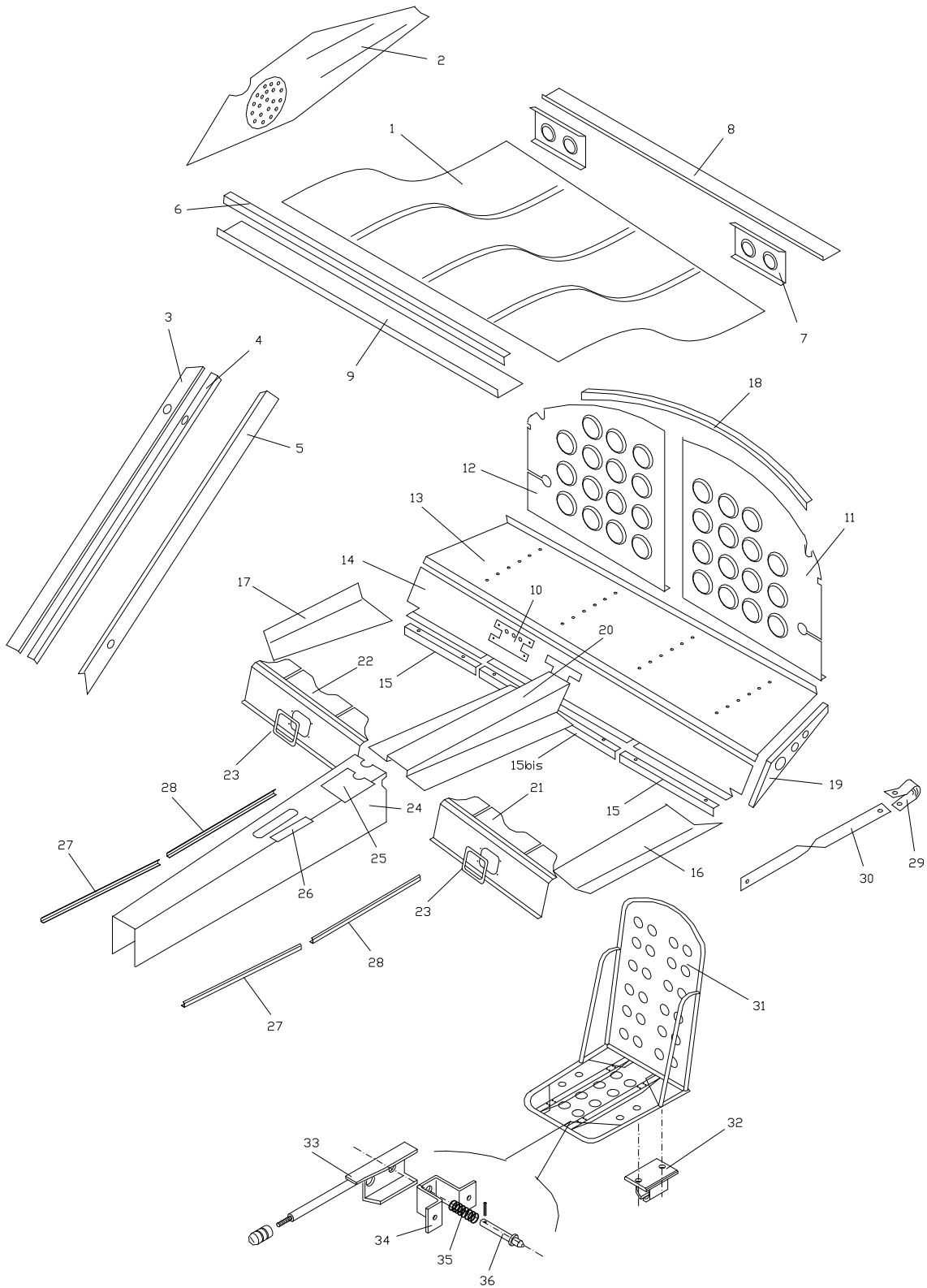


Fig. 8.1 FITTING OUT - CABIN (JS)

### FITTING OUT - CABIN (JS)

ITEM	P/N	DESCRIPTION	qty
1	92-12-124-1	INTERNAL TRIM (CABIN ROOF)	1
2	92-12-124-2	SIDE PANEL -TOP LH	1
	92-12-124-3	SIDE PANEL -TOP RH	1
3	21-12-102-1	EXTERNAL SIDE TRIM STRIP LH	1
	21-12-102-2	EXTERNAL SIDE TRIM STRIP RH	1
4	92-12-101-1	WINDSHIELD SIDE SUPPORT ANGLE LH	1
	92-12-101-2	WINDSHIELD SIDE SUPPORT ANGLE RH	1
5	21-12-102-3	INTERNAL SIDE TRIM STRIP LH	1
	21-12-102-4	INTERNAL SIDE TRIM STRIP RH	1
6	92-12-101-3	WINDSHIELD TOP SUPPORT ANGLE	1
7	92-12-107-1	ROOF TRIM SUPPORT PLATE	1
8	92-12-608-1	UPHOLSTERY TRIM STRIP	1
9	92-12-102-5	ROOF TRIM RETAINING FACIA STRIP	1
10	92-9-927-1	HEADSET SOCKET FACIA PLATE	1
11	21-12-110-1	TAILCONE BULKHEAD LH	1
12	21-12-110-2	TAILCONE BULKHEAD RH	1
13	21-12-112-1	BAGGAGE SHELF	1
14	21-12-114-1	BAGE SHELF LOWER FRONT PANEL	1
15	92-12-605-1	SIDE FASCIA PANEL ANGLE ON BEAM	2
15BIS	92-12-605-2	CENTRALFASCIA PANEL ANGLE ON BEAM	1
16	21-12-116-1	SIDE CLOSURE PANEL TO SEAT WELL LH	1
17	21-12-116-2	SIDE CLOSURE PANEL TO SEAT WELL RH	1
18	92-12-607-1	SUPPORT ANGLE FOR BAGGAGE SHELF BACK BULKHEAD	1
19	92-12-606-1	BAGGAGE SHELF SUPPORT RIB	1
20	21-12-122-1	TUNNEL - REAR SECTION	1
21	21-12-118-1	COVER FOR STICK MECHANISM LH	1
22	21-12-118-2	COVER FOR STICK MECHANISM RH	1
23	92-2-120-3	FACE FLANGE SLEEVE	2
24	21-12-120-1	TUNNEL - FRONT SECTION	1
25	92-12-114-1	PLATE FOR PARKING BRAKE PLACARD	1
26	92-12-114-2	PLATE FOR BRAKE LEVER PLACARD	1
27	21-12-123-1	TUNNEL ACHORAGE ANGLE - FRONT SECTION	2
28	21-12-123-1	TUNNEL ACHORAGE ANGLE - REAR SECTION	2
29	92-9-912-2	HARNESS ACHORAGE 'P' CLIP	2
30	92-9-912-1	HARNESS LINK STRIP	2



*FITTING OUT - CABIN*

ITEM	P/N	DESCRIPTION	qty
<b>31</b>	92-12-500-000	SEAT TYPE J	2
<b>32</b>	92-9-902-1	SEAT RAIL	8
<b>33</b>	92-12-502-1	SEAT ADJUST LEVER LH	1
	92-12-502-2	SEAT ADJUST LEVER RH	1
<b>34</b>	92-12-502-3	LEVER ATTACHMENT	2
<b>35</b>	92-12-502-5	SPRING	2
<b>36</b>	92-12-502-4	LOCKING PIN	2

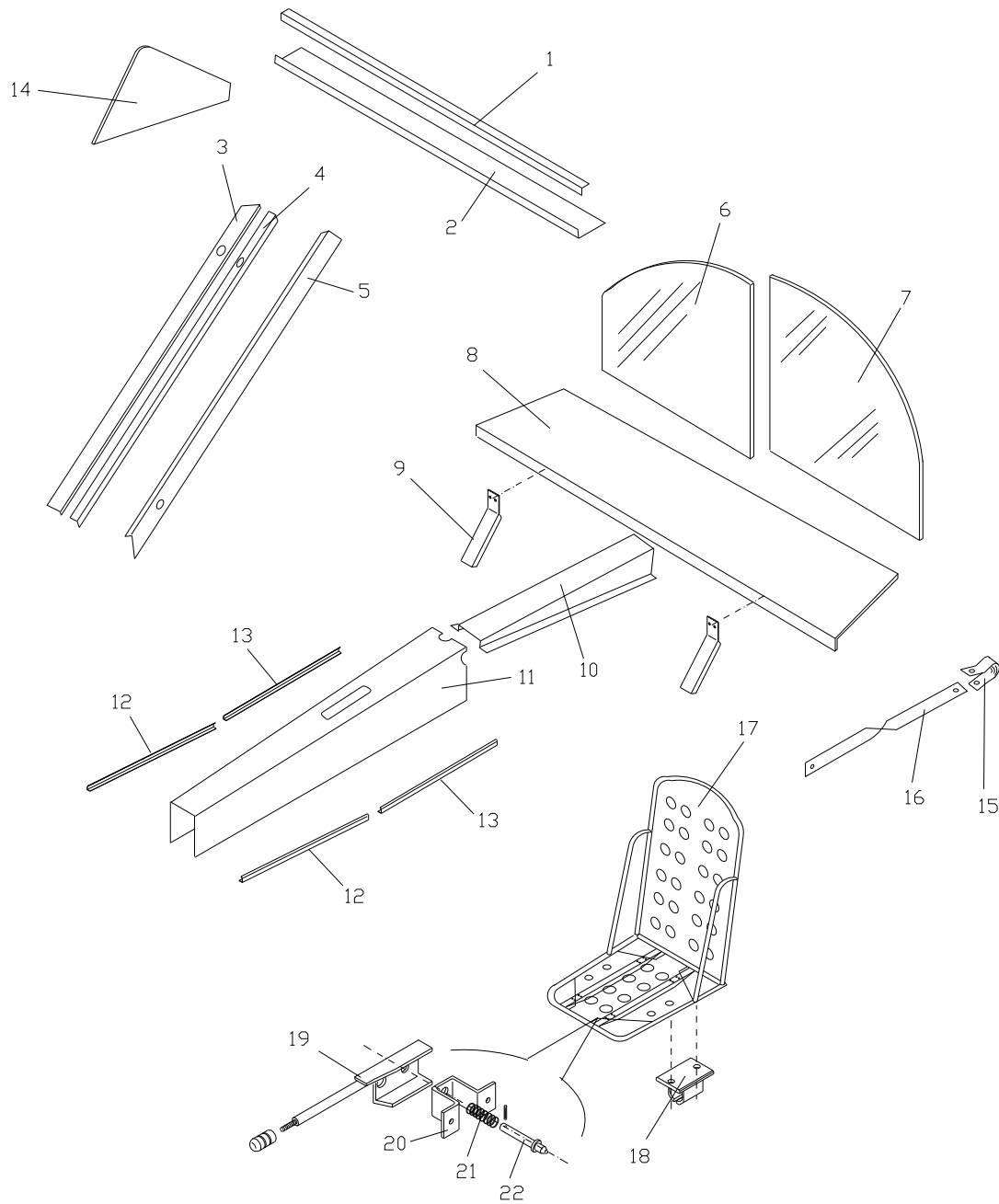


Fig. 8.1 FITTING OUT - CABIN (ECHO SUPER)

*FITTING OUT - CABIN (ECHO SUPER)*

ITEM M.	P/N	DESCRIPTION	qty
1	92-12-101-3	WINDSHIELD TOP SUPPORT ANGLE	1
2	92-12-102-5	ROOF TRIM RETAINING FASCIA STRIP	1
3	21-12-102-1	EXTERNAL SIDE TRIM STRIP LH	1
	21-12-102-2	EXTERNAL SIDE TRIM STRIP RH	1
4	92-12-101-1	WINDSHIELD SIDE SUPPORT ANGLE LH	1
	92-12-101-2	WINDSHIELD SIDE SUPPORT ANGLE RH	1
5	21-12-102-3	INTERNAL SIDE TRIM STRIP LH	1
	21-12-102-4	INTERNAL SIDE TRIM STRIP RH	1
6	21-12-130-1	TAILCONE BULKHEAD LH	1
7	21-12-130-2	TAILCONE BULKHEAD RH	1
8	21-12-132-1	BAGGAGE SHELF	1
9	92-12-112-1	BAGGAGE SHELF SUPPORT CHANNELS	1
10	21-12-122-1	TUNNEL REAR SECTION	1
11	21-12-120-1	TUNNEL FRONT SECTION	1
12	21-12-123-1	TUNNEL ANCHORAGE ANGLE FRONT SECTION	2
13	21-12-123-1	TUNNEL ANCHORAGE ANGLE REAR SECTION	2
14	92-12-126-1	TOP SIDE PANEL LH	1
	92-12-126-2	TOP SIDE PANEL RH	1
15	92-9-912-2	HARNESS ANCHORAGE 'P' CLIP	2
16	92-9-912-1	HARNESS LINK STRIP	2
17	92-12-500-000	SEAT TYPE J	2
18	92-9-902-1	SEAT RAIL	8
19	92-12-502-1	ADJUST LEVER LH	1
	92-12-502-2	ADJUST LEVER RH	1
20	92-12-502-3	ADJUST LEVER ATTACHMENT	2
21	92-12-502-5	SPRING	2
22	92-12-502-4	LOCKING PIN	2